



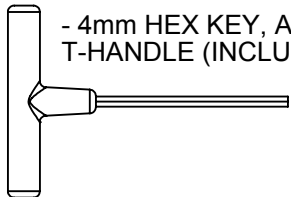
All Weather Furnishings

Model:

PL85-T1L1

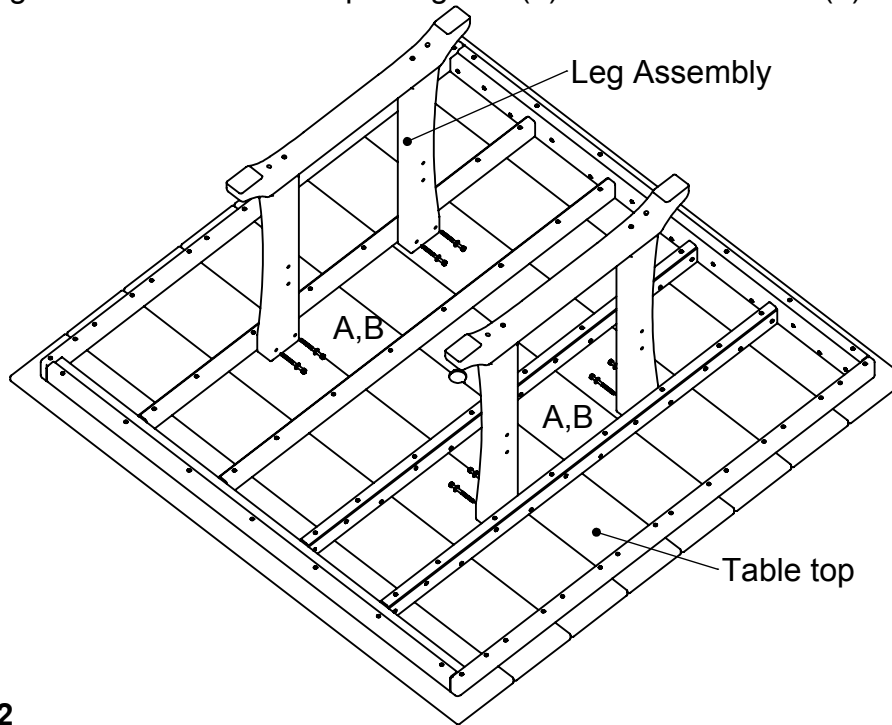
- (1) Table top
- (2) Leg Assemblies
- (2) Brace
- (1) Hardware pack

TOOLS NEEDED

-  - 4mm HEX KEY, ALLEN, T-HANDLE (INCLUDED)
- 7/16" Wrench (not included)

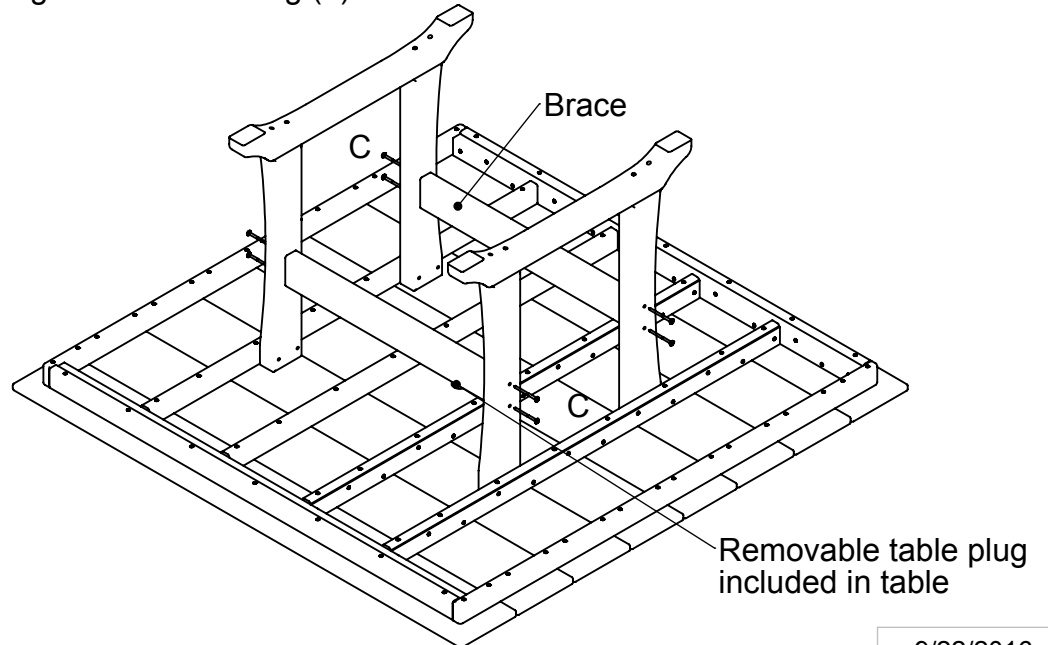
Step 1

Attach leg assemblies to table top using and (8) 3" chair bolts and (8) 1/4" washers.

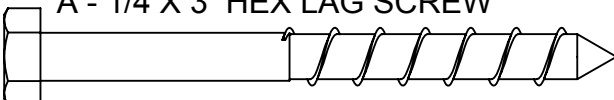
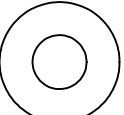
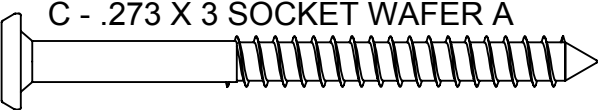


Step 2

Attach braces to leg assemblies using (8) 3" screws.



Qty. Description

- 8  A - 1/4 X 3 HEX LAG SCREW
- 8  B - 1/4 FLAT WASHER
- 8  C - .273 X 3 SOCKET WAFER A

POLYWOOD®

All Weather Furnishings

Join the POLYWOOD® Community

Share in the love of outdoor living, recycling, and more...



POLYWOOD



@POLYWOODINC



youtube.com/polywood



POLY-WORLD
Blog



POLYWOOD



To view our full warranty, please visit the warranty page on our website at polywoodinc.com/resources.

If you have questions or concerns regarding assembly instructions or missing parts, please contact us at (877) 457-3284 or email support@polywoodinc.com