



All Weather Furnishings

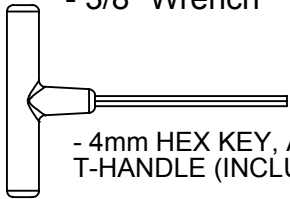
**Model:**

NCT37, NCCT37, NCRT37, NCBT37

- (1) Table top
- (4) Leg
- (2) Foot
- (2) Brace
- (1) Umbrella support
- (1) Hardware pack

**TOOLS NEEDED**

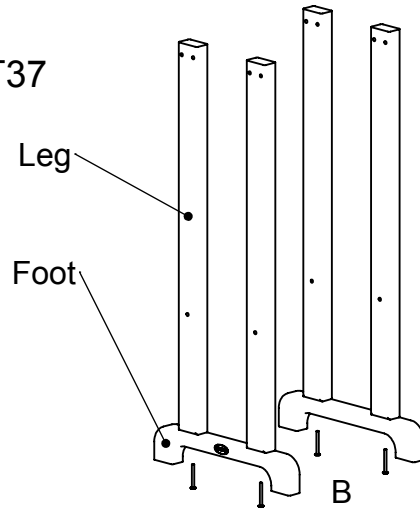
- 3/8" Wrench



- 4mm HEX KEY, ALLEN, T-HANDLE (INCLUDED)

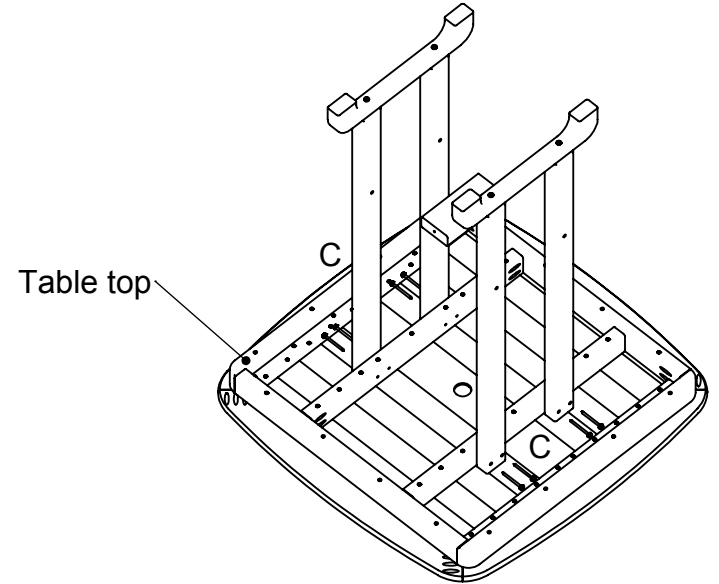
**Step 1**

Attach feet to legs using (4) 2 1/4" Chair bolts.



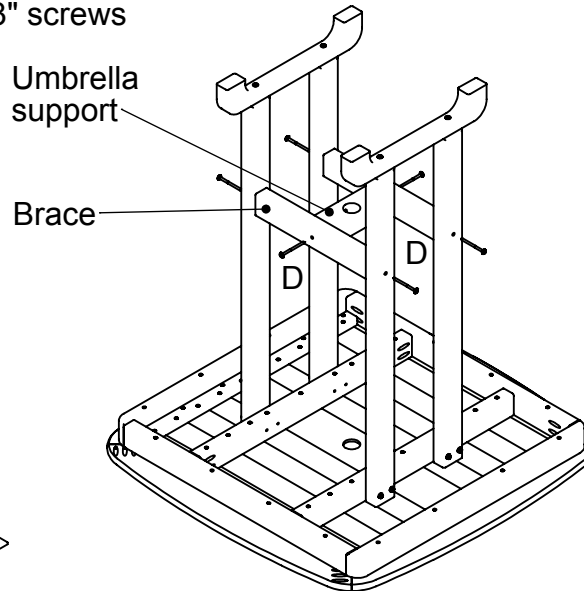
**Step 2**

Lay table top on flat surface. Attach the leg assemblies to the table frame using (8) 14x2 1/2" hex screws \*Do not tighten until last step



**Step 3**

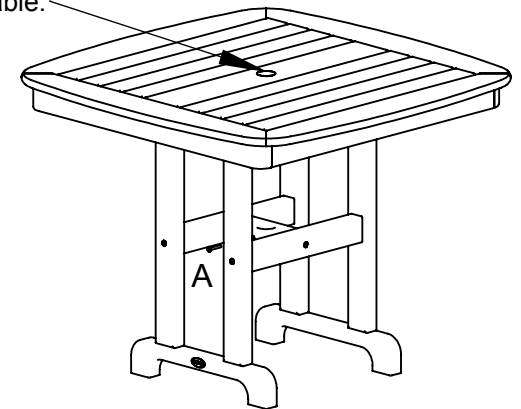
Attach the leg braces to the leg assemblies using (4) .27x3" screws. Attach the umbrella support using (2) .27x3" screws



**Step 4**

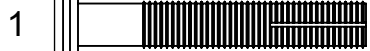
Set table upright and tighten all bolts. The 1 1/2" Chair bolt secures the umbrella pole.

Removable table plug included in table.



Qty. Description

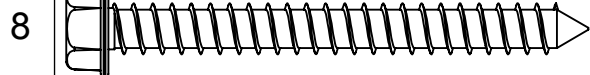
1 A - 1/4-20 X 1-1/2 WAFER SHCS



4 B - 1/4-20 X 2-1/4 WAFER SHCS



8 C - 14 X 2.50 HEX WASHER T-A ALCHM



6 D - .273 X 3 SOCKET WAFER A





To view our full warranty, please visit the warranty page on our website at [polywoodinc.com/resources](http://polywoodinc.com/resources)