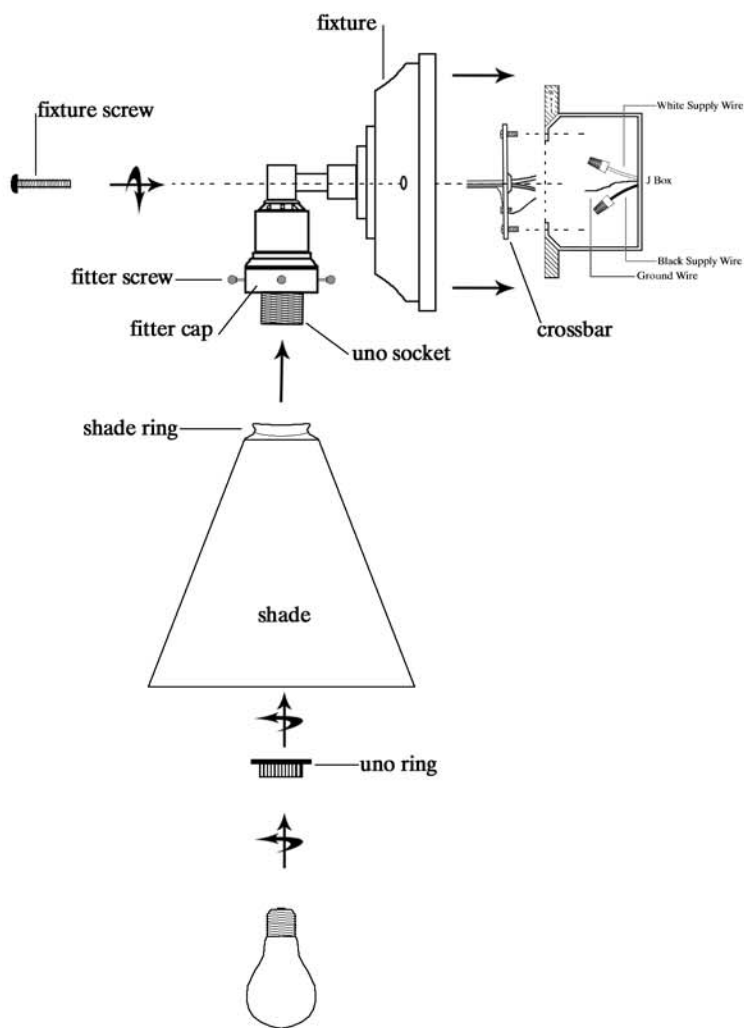


ASSEMBLY INSTRUCTIONS FOR #48188 (SX2-MS275-07R-1)

IMPORTANT
TURN OFF THE POWER AT THE MAIN
FUSE OR CIRCUIT BREAKER BOX
BEFORE STARTING INSTALLATION

CAREFULLY UNPACK AND IDENTIFY ALL
PARTS BEFORE ASSEMBLY. BULBS ARE
NOT INCLUDED

1. Screw crossbar to j-box.
2. Wire as per local electrical code.
3. Screw fixture to crossbar with fixture screws.
4. Loosen fitter screws (Do Not Remove) so shade ring will fit into fitter cap.
5. Place shade into fitter ring.
6. Screw uno ring onto uno socket and tighten to shade.
7. Screw fitter screw in and tighten to shade ring.



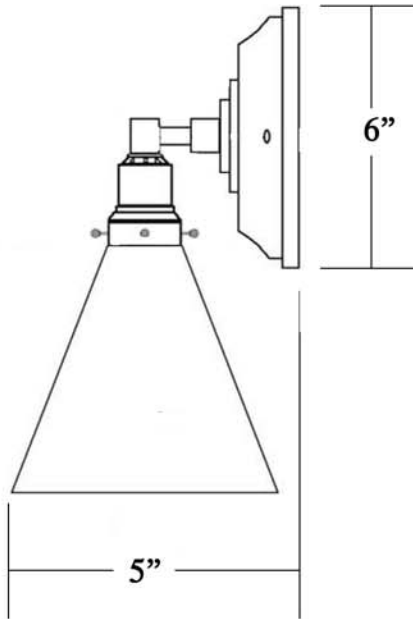
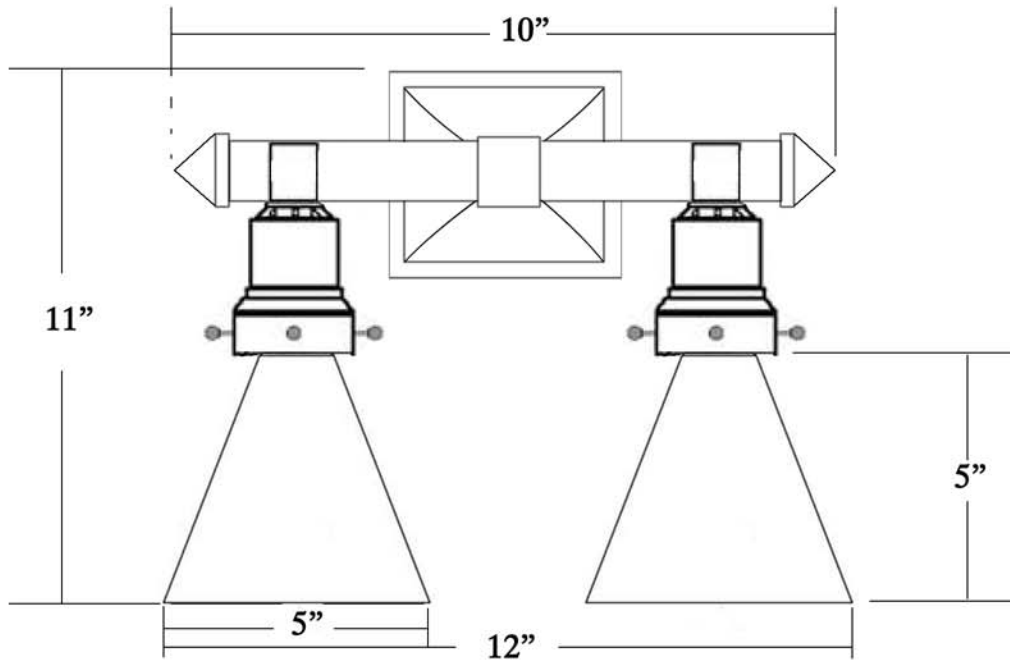
"A Commitment to Excellence in Lighting and Service"

CALL OUR CUSTOMER SERVICE DEPARTMENT AT 1-800-222-4009


MONDAY - FRIDAY 8:00 a.m. - 6:00 p.m. ET

visit us on the web at www.meyda.com

CUT SHEET, ITEM # 48188



BULB: 2
TYPE: MED.
WATT: 60

				© DESIGN COPYRIGHT, MEYDA TIFFANY, INC. ALL RIGHTS RESERVED, NO UNAUTHORIZED DUPLICATION			
				© MEYDA TIFFANY, INC.		DISCRIPTION PRAIRIE DRAGONFLY WALL SCONCE	
DRAWN BY 244	APRVD. BY	DATE 5/8/08	FIXTURE TYPE 2 LT WALL SCONCE		DESIGN NUMBER		
			MATERIAL GLASS/METAL	FINISH ANTIQUE	FINAL MODEL NUMBER 48188		