

CUSTOMER NAME:

CUSTOMER #:

CUSTOMER PROPOSAL/CUT SHEET

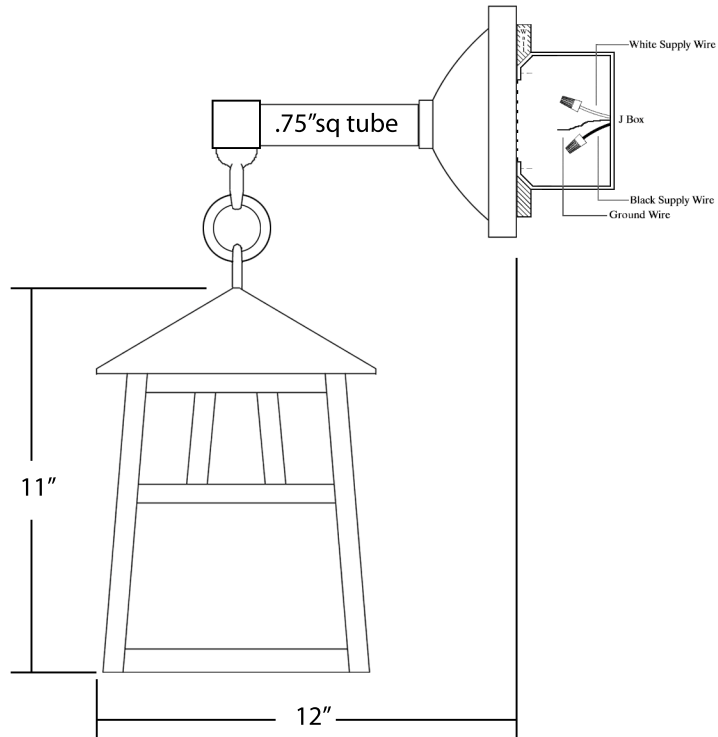
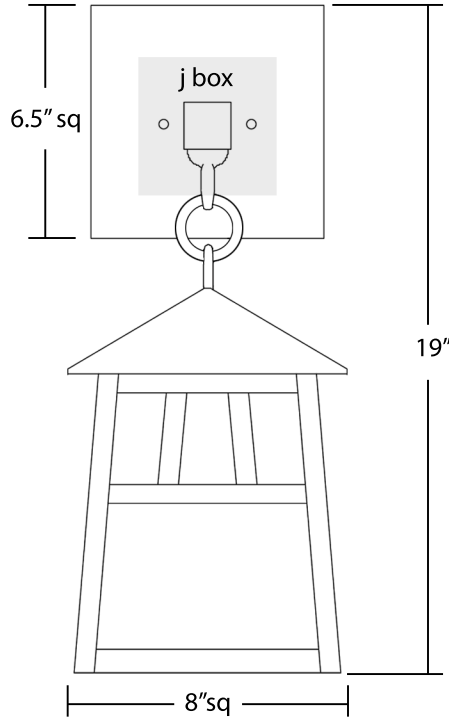


"A Commitment to Excellence in Lighting and Service"

CALL OUR CUSTOMER SERVICE DEPARTMENT AT 1-800-222-4009

MONDAY - FRIDAY 8:00 a.m. - 6:00 p.m. ET

visit us on the web at www.meyda.com



© MEYDA TIFFANY, INC. © DESIGN COPYRIGHT, MEYDA TIFFANY, INC. ALL RIGHTS RESERVED, NO UNAUTHORIZED DUPLICATION



ITEM#	128874	BULB#	1	LOCATION	
DESIGN#	6580-2	TYPE	MEDIUN BASE		
FIXTURE TYPE	WALL SCNCE	WATT	100	DIMENSIONS/NOTES	
LENS/ GLASS COLOR	AMBER MICA	VOLTAGE	120		
FINISH	CRAFTSMAN BROWN (ARROYO BRONZE)	MATERIAL	BRASS/MICA	WEIGHT	