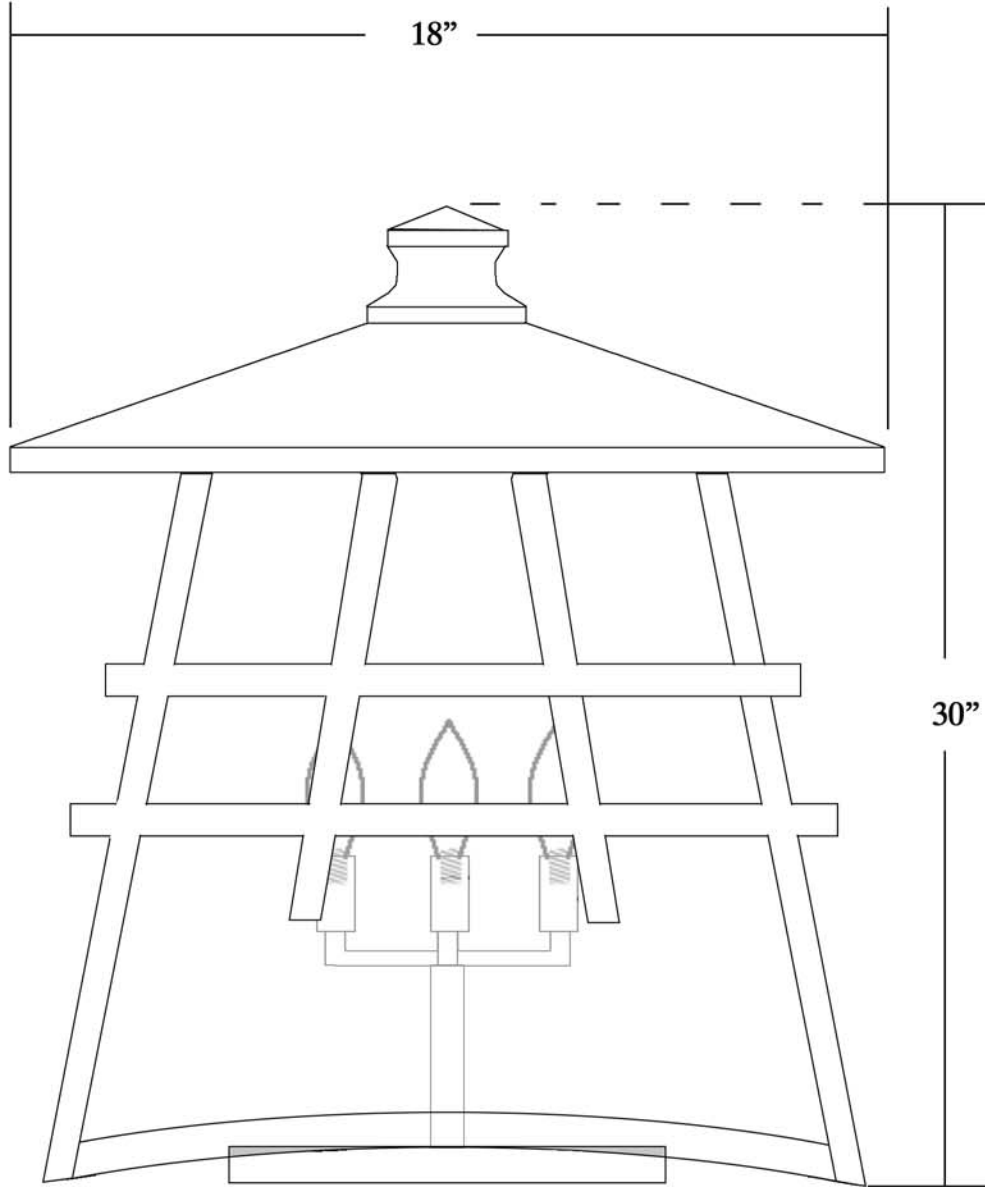
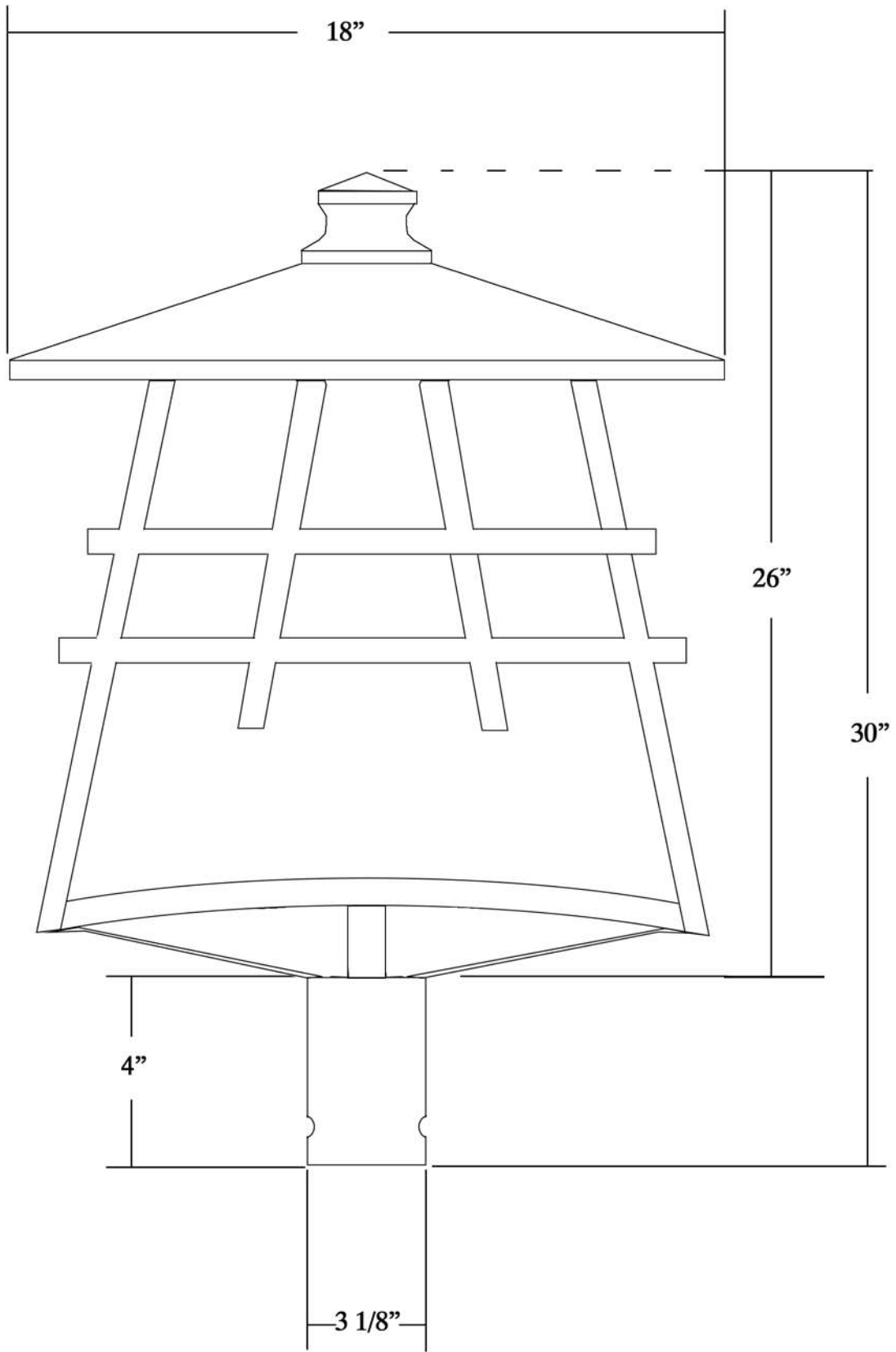


CUT SHEET, ITEM # 112386



DRAWN BY 244	WEIGHT	DATE 9/16/09	© MEYDA TIFFANY, INC. © DESIGN COPYRIGHT, MEYDA TIFFANY, INC. ALL RIGHTS RESERVED, NO UNAUTHORIZED DUPLICATION		
VOLTAGE 110	GLASS COLOR BEIGE	BULB # 4	DISCRIPTION CUSTOM FIXTURE		PROJECT NUMBER
FINISH CRAFTSMAN BROWN	TYPE CANDELABRA	FIXTURE TYPE PEIR MOUNT		DESIGN NUMBER 35020-1	
MATERIAL BRASS/GLASS	WATT 60			FINAL MODEL NUMBER 112386	

CUT SHEET, ITEM # 112386



DRAWN BY 244	WEIGHT	DATE 9/16/09	© MEYDA TIFFANY, INC. © DESIGN COPYRIGHT, MEYDA TIFFANY, INC. ALL RIGHTS RESERVED, NO UNAUTHORIZED DUPLICATION			
VOLTAGE 110	GLASS COLOR BEIGE	BULB # 4	DISCRIPTION POST MOUNT LANTERN		PROJECT NUMBER	
FINISH CRAFTSMAN BROWN	MATERIAL BRASS/GLASS	TYPE CANDELABRA	WATT 60		DESIGN NUMBER 35020-1	
			FITURE TYPE POST MOUNT		FINAL MODEL NUMBER 112386	

