



## Limited Lifetime Warranty

Minka-Aire warrants to the original owner that this fan will be free from defects in material and workmanship for one year from the date of purchase, excluding the motor. Minka-Aire warrants to the original owner that the motor in this fan shall be free from defects in material and workmanship for as long as the original purchaser owns the fan, and it remains in the original installation.

This is a limited warranty. Minka-Aire's only obligation under this limited warranty is to replace or repair, or refund the purchase price, in Minka-Aire's sole discretion without charge to the original owner, of the fan once Minka-Aire confirms that the fan has a defect covered by this limited warranty.

Call our customer service department at 1-800-307-3267 to obtain the name of the Minka-Aire authorized dealer closest to your location, or contact us through our web site, [www.minkagroup.net](http://www.minkagroup.net) and write to: ask Mr. Minka if you have any questions or require further assistance.

To obtain warranty service, the owner should return the fan along with proof of purchase to a Minka-Aire authorized dealer. The Minka-Aire authorized dealer shall then, at its sole discretion: repair the fan, replace the fan, refund the purchase price less the amount directly attributable to the consumer's prior usage of the fan, or if necessary instruct the consumer to contact Minka-Aire directly for warranty service. Minka-Aire will be responsible for the cost of any repair, or replacement for any warranty service provided by a Minka-Aire authorized dealer for product under warranty.

You may also at your preference obtain warranty service by returning the fan directly to Minka-Aire along with proof of purchase, your name and return address, and a description of the claimed product defect. Pack carefully; damage sustained in return transit to Minka Aire will be the original owner's responsibility. Original owner shall be responsible to pay all shipping charges. To obtain warranty service, you may return a fan that proves to be defective during the warranty period to the following address:

Minka-Aire  
Warranty service  
1151 W. Bradford Court  
Corona, CA 92882

This warranty shall not apply to fans which have been damaged in any way, including improper installation, damage as a result of the removal of the fan from the original installation, or damage in shipping. This warranty shall not apply to fans which have been subjected to use for which the fan was not designed. The purchaser of the fan shall be responsible for any cost of removing the old fan, installing a new fan, or any other costs.

This limited warranty is in lieu of all other express warranties. This limited warranty excludes all incidental and consequential damages, and Minka-Aire shall not under any circumstances be liable for incidental or consequential damages. Some States do not allow the exclusion of or limitation of incidental or consequential damages, so the foregoing limitation or exclusion may not apply to you.

This warranty gives you specific legal rights, and you may also have other rights which vary from State to State.

We encourage you to promptly complete and return the enclosed warranty registration card. However, return of the warranty registration card is not a condition of this warranty.



# CONTENTS

SAFETY FIRST ..... 1

PACKAGE CONTENTS ..... 2

BEGIN INSTALLATION ..... 3

HANGING THE FAN ..... 4

ELECTRICAL CONNECTIONS ..... 5

FINISHING THE INSTALLATION ..... 6

ATTACHING THE FAN BLADES ..... 7

ATTACHING THE SWITCH CUP ..... 8

OPERATING YOUR FAN ..... 9

MAINTENANCE ..... 10

TROUBLESHOOTING ..... 11

SPECIFICATIONS ..... 12



1151 W. Bradford Ct., Corona, CA 92882  
All Rights Reserved





# 1. SAFETY FIRST

**1.** Before you begin installing the fan, **disconnect the power** by removing fuses or turning off circuit breakers.

**2.** Be Cautious! Read all instructions and safety information before installing your new fan. Review the accompanying assembly diagrams.

**3.** Make sure that all electrical connections comply with local codes, ordinances, or National Electrical Codes. Hire a qualified electrician or consult a do-it-yourself wiring handbook if you are unfamiliar with installing electrical wiring.

**4.** Make sure the installation site you choose allows the fan blades to rotate without any obstructions. Allow a **minimum clearance of 7 feet** from the floor to the lowest edge of the blades. Fan blades must have a **minimum clearance of 18"** from the wall.

**5.** If you are mounting the fan to a ceiling outlet box, use a metal octagonal outlet box. Secure the box directly to the building structure. The outlet box and its support must be able to support the moving weight of

the fan (at least 50 lbs.). **Do not use a plastic outlet box.**

**6.** Attach the hanger bracket using the hardware supplied with the fan.

**7.** If you are mounting the fan to a joist, make sure it is able to support the moving weight of the fan (at least 50 lbs.).

**8.** After you install the fan, make sure that all connections are secure to prevent the fan from falling.

**9.** Do not insert anything into the fan blades while fan is operating.

**10.** Turn the fan off and wait for it to stop before reversing fan direction.

**NOTE:** *The important safeguards and instructions appearing in this manual are not meant to cover all possible conditions and situations that may occur. It must be understood that common sense, caution and care are factors which can not be built into this product. These factors must be supplied by the person(s) installing, caring for and operating the unit.*

## WARNING

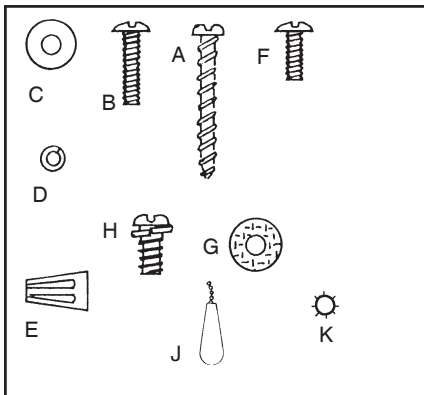
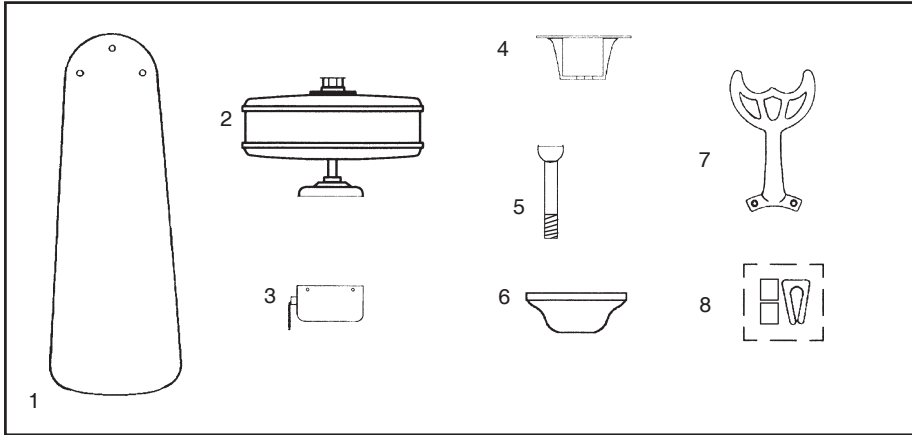
SUPPORT DIRECTLY FROM THE BUILDING STRUCTURE

TO REDUCE THE RISK OF FIRE, ELECTRIC SHOCK, OR OTHER PERSONAL INJURY, MOUNT FAN ONLY ON A U.L. LISTED OUTLET BOX OR SUPPORTING SYSTEM MARKED ACCEPTABLE FOR FAN SUPPORT AND USE THE HARDWARE PROVIDED WITH THE OUTLET BOX, MOST OUTLET BOXES COMMONLY USED FOR SUPPORT OF LIGHTING FIXTURES ARE NOT ACCEPTABLE FOR FAN SUPPORT AND NEED TO BE REPLACED.  
CONSULT A QUALIFIED ELECTRICIAN IF IN DOUBT.

TO REDUCE THE RISK OF PERSONAL INJURY, DO NOT BEND THE BLADE HOLDERS WHILE INSTALLING, BALANCING THE BLADES OR CLEANING THE FAN. DO NOT INSERT FOREIGN OBJECTS BETWEEN ROTATING FAN BLADES.



# PACKAGE CONTENTS 2.



Unpack your fan and check the contents. You should have the following items:

1. Fan Blades (5)
2. Fan Motor/Housing Assembly
3. Switch Cup
4. Hanger Bracket
5. Standard Downrod Assembly
6. Canopy
7. Blade Bracket (5)
8. Balancing Kit

## Mounting Hardware:

J-Box Mounting:

**(A)** 10# x 1- 1/2" L (10# x 38mm) wood screws (2 pcs.)

Hanger Bracket Mounting:

**(B)** 8-32x 1- 1/2" (8-32 x 36mm) screws (2 pcs.)

**(C)** Metal Washers (2 pcs.)

**(D)** Lockwashers (2 pcs.)

**(E)** Wire Nut (3 pcs.)

**(K)** Star washer (2 pcs.)

## Blade Attachment Hardware:

**(F)** 3/16"-24 x 5/16" L (3/16"-24 x 8mm) flange head screws (15 pcs.)

**(G)** Fiber Washers (15 pcs.)



### 3. BEGIN INSTALLATION

Tools Required: You will need a phillips screw driver, slotted screw driver, adjustable wrench, stepladder, wire cutters, and electrical tape.

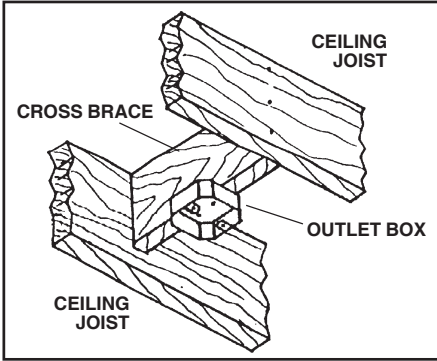


FIG. 1

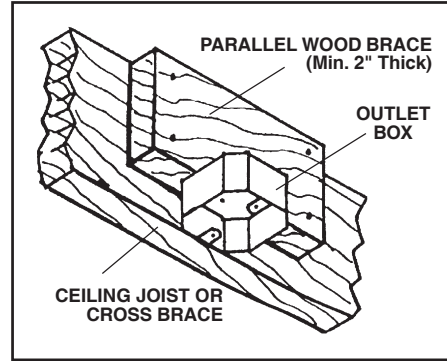


FIG. 2

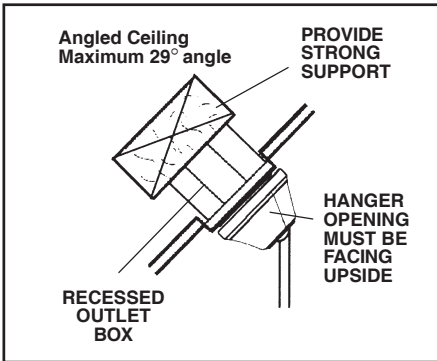


FIG. 3

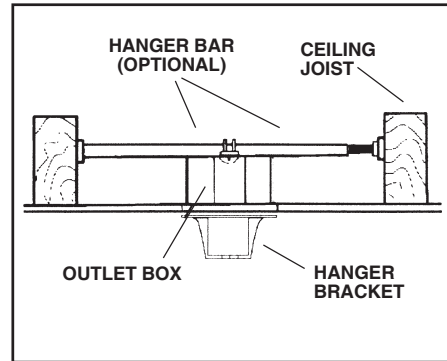


FIG. 4

### MOUNTING OPTIONS

If there isn't an existing mounting box, then read the following instructions. Disconnect the power by removing fuses or turning off circuit breakers.

Secure the outlet box directly to the building structure. The outlet box and its support must be able to fully support the moving weight of the fan (at least 50 lbs.). Use a U.L. Listed metal outlet box. Do not use a plastic outlet box.

Figures 1, 2 and 3 are examples of different ways to mount the outlet box. Note: You may need a longer downrod to maintain proper blade clearance when installing on a steep, sloped ceiling. Longer downrods are available from your Minka-Aire™ dealer.

To hang your fan where there is an existing fixture but no ceiling joist, you may need to install a hanger bar as shown in Figure 4 (available at your Minka-Aire™ dealer).





# HANGING THE FAN 4.

REMEMBER to turn off the power. Follow the steps below to hang your fan properly:

Step 1. Secure the hanger bracket to the ceiling outlet box using screws, lock washers, and flat washers included with the fan. (Fig. 5)

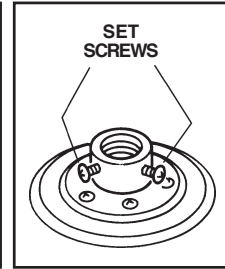
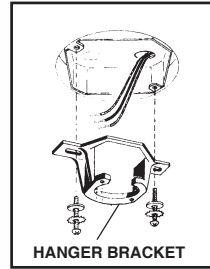


FIG. 6

Step 2. Loosen the two set screws in the top coupling of the motor assembly. (Fig. 6)

Step 3. Remove downrod hanger ball by loosening set screw, removing the cross pin, and sliding ball off rod. Remove the hitch pin and lock pin. (Fig. 7)

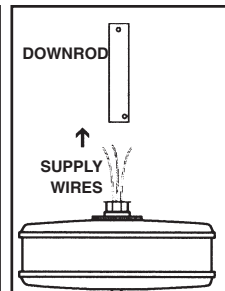
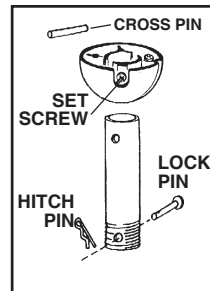


FIG. 7

FIG. 8

Step 4. Carefully feed fan wires up through the downrod. (Fig. 8) Thread the rod into the coupling, next line up holes, secure with the lock pin and hitch pin. Tighten set screws. (Fig. 9)

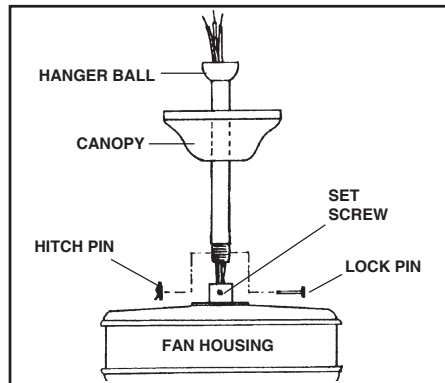


FIG. 9

Step 5. Slip canopy onto downrod. (Fig. 9). Carefully reinstall hanger ball onto rod being sure that crosspin is in correct position, set screw is tight and wires are not twisted.

Step 6. Now lift motor assembly into position and place downrod ball into hanger bracket. Rotate until the check groove has dropped into the registration slot and seats firmly. (Fig. 10). Rod should not rotate if this is done correctly.

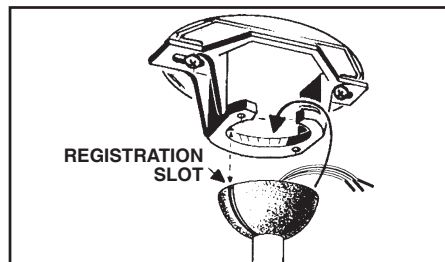


FIG. 10



# 5. ELECTRICAL CONNECTIONS

**REMEMBER** to shut the power off at the circuit breaker or fuse box.

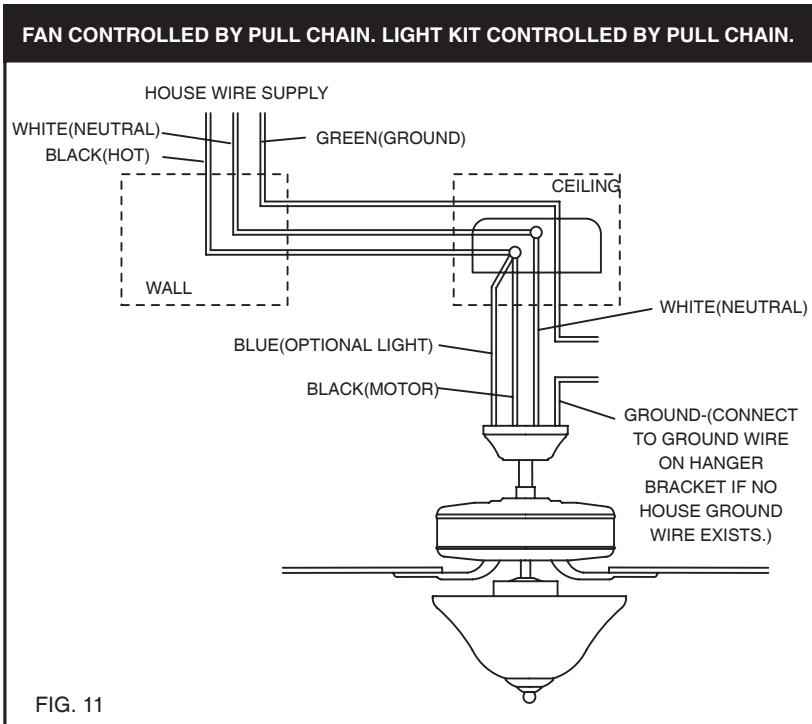
Follow the steps below to connect the fan to your house supply wires. Use the wire nuts supplied with your fan. Secure the wire nuts by wrapping the connection with electrical tape.

**Step 1.** Connect the black (hot) wire from the ceiling to the black and the blue wires from the fan. Connect the white (Neutral) wire from the ceiling to the white wire from the fan. (Fig 11)

**Step 2.** If your outlet has a ground wire (Green or Bare Copper) connect the fan ground wires (on hanger ball and hanger bracket) to it; otherwise, connect the fan ground wire on hanger ball directly to hanger bracket (Fig. 11)

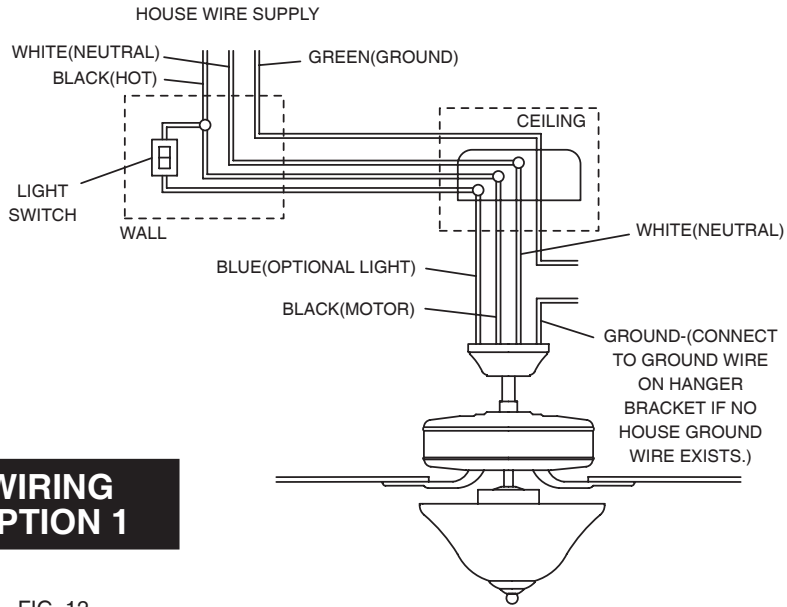
**Step 3.** Figure 12 & 13 Illustrate the wiring connections using optional wall unit. (Available at your **Minka-Aire™** Retailer.)

**NOTE:** If a light kit is not included with your fan, one can be purchased at you **Minka-Aire™** Retailer.





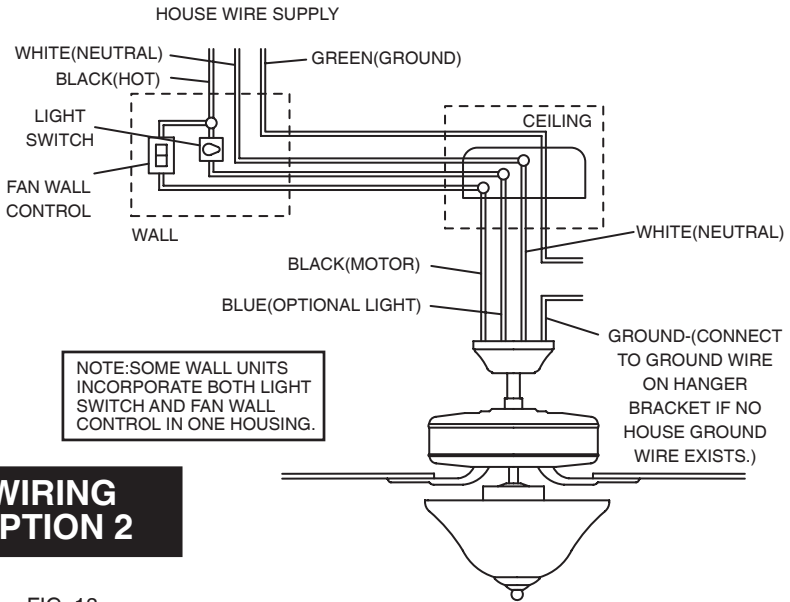
**FAN CONTROLLED BY PULL CHAIN. LIGHT KIT CONTROLLED BY WALL SWITCH.**



**WIRING OPTION 1**

FIG. 12

**FAN CONTROLLED BY PULL CHAIN. LIGHT KIT CONTROLLED BY WALL SWITCH.**



**WIRING OPTION 2**

FIG. 13







## 6. FINISHING THE INSTALLATION

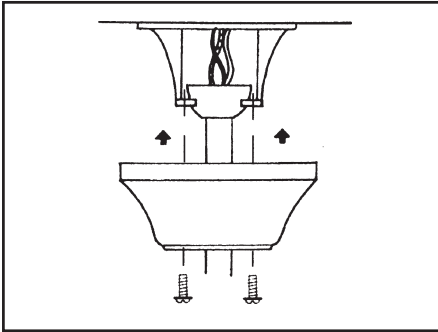


FIG. 14

**Step 1.** Slide the canopy up to ceiling as shown in Figure 14. Make sure to place the wires safely into outlet box. Secure the canopy to the hanger bracket with the two screws provided on the bracket.

## 7. ATTACHING THE FAN BLADES

**Step 1.** Attach the fan blade to the blade bracket using the screws and the fiber washers provided. Tighten screws securely. Repeat for remaining blades. (Fig. 15)

**Step 2.** Remove and discard the rubber stoppers from the motor. Align holes in blade bracket and motor and secure with proper screws. Repeat process with the other blade brackets. (Fig. 16 & 16a)

**Note:** You have the option of installing either five or four blades. If you are using four blades, mount blade bracket to the inner screw holes of motor. If you are using five blades, mount blade bracket to the outer screw holes of motor. (Fig.16 & 16a)

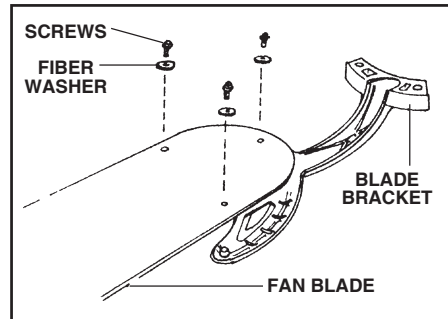


FIG. 15

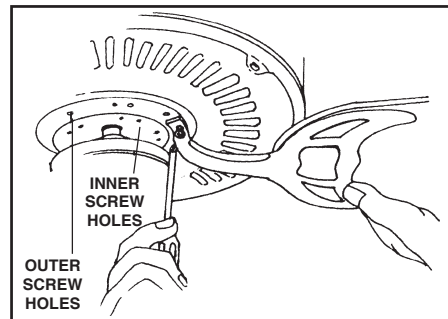
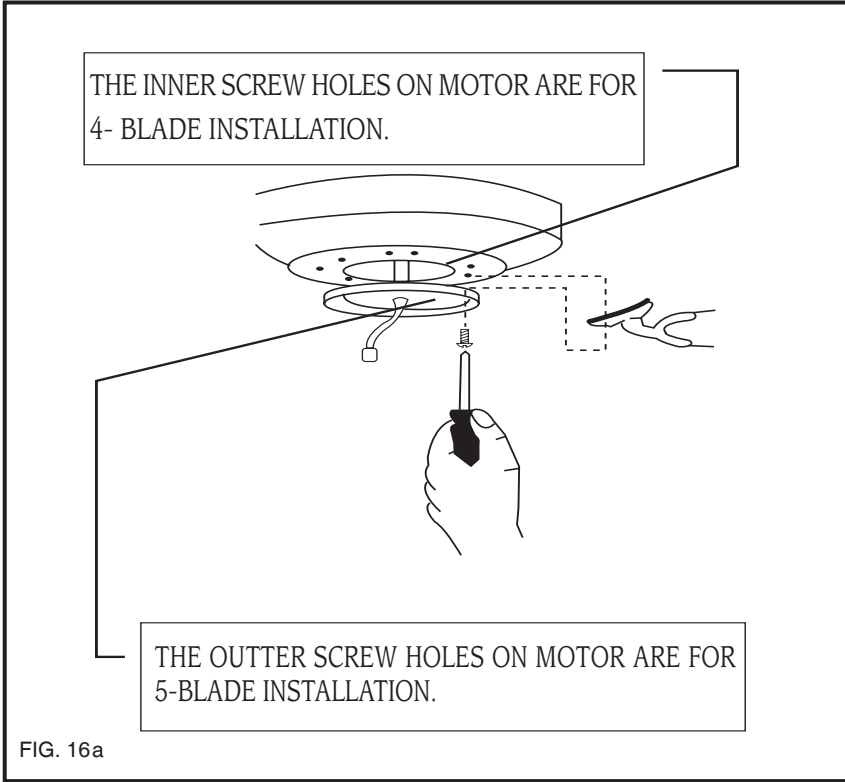


FIG. 16



## 8. ATTACHING THE SWITCH CUP

Step 1. Remove screws in switch cup ring. While holding the switch cup under your fan, snap the wire connector plugs together. (Figure 17). Then push the switch cup up to switch ring and position so holes line up. Reinstall screws and tighten.

Step 2. Attach the pull chain fob to the chain on the switch cup.

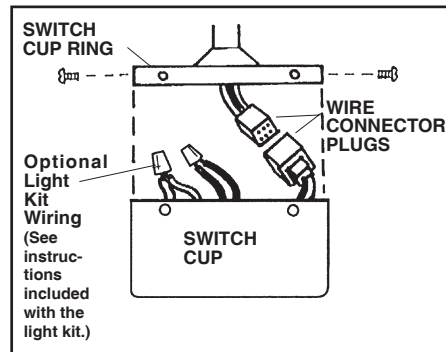


FIG. 17



# 9. OPERATING YOUR FAN

## Restore power to ceiling fan and test for proper operation.

Speed settings for warm or cool weather depend on factors such as the room size, ceiling height, number of fans, etc.

The slide switch, on the switch cup, controls the forward or reverse direction of the fan. **Down** or to the **left** is for warm weather operation. **Up** or to the **right** is for cool weather operation.

**Warm weather** – (Counter Clockwise) A downward air flow creates a cooling effect as shown in figure 18. without affecting your comfort.

**Cool weather** – (Clockwise) An upward airflow moves warm air off the ceiling area as shown in Figure 19. This allows you to set your heating unit on a cooler setting without affecting your comfort.

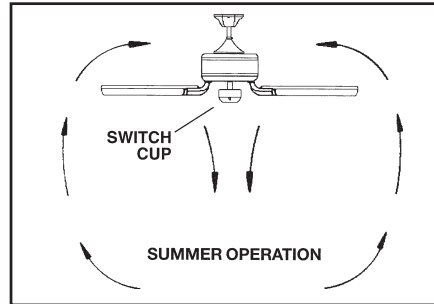


FIG. 18

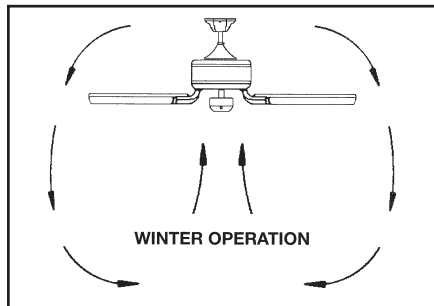


FIG. 19

The pull chain on your fan controls the speed settings as follows:

**NOTE**  
Wait for fan to stop before changing the setting of the SLIDE SWITCH.

- 1st pull – Highest Speed
- 2nd pull – Medium Speed
- 3rd pull – Lowest Speed
- 4th pull – Turns Fan Off



# MAINTENANCE 10.

Here are some suggestions to help you maintain your fan.

**1.** Because of the fan's natural movement, some connections may become loose. Check the support connections, brackets, and blade attachments twice a year. Make sure they are secure. **(It is not necessary to remove fan from ceiling.)**

**2.** Clean your fan periodically to help maintain its new appearance over the years. Do not use water when cleaning. This could damage the motor, or the wood, or possibly cause an electrical shock.

**3.** Use only a soft brush or lint-free cloth to avoid scratching the finish. The plating is sealed with a lacquer to minimize discoloration or tarnishing.

**4.** You can apply a light coat of furniture polish to the wood for additional protection and enhanced beauty. Cover small scratches with a light application of shoe polish.

**5. There is no need to oil your fan.** The motor has permanently lubricated bearings.

**6.** All glass should be cleaned using lukewarm soapy water and a soft cloth or sponge. **DO NOT IMMERSE GLASS IN HOT WATER. DO NOT PUT GLASS INTO AN AUTOMATIC DISHWASHER.**

## WARNING

Make sure the power is off at the electrical panel box before you attempt any repairs. Refer to the section, "Making Electrical Connections".



# 11. TROUBLESHOOTING

## Problem

## Solution

### Fan will not start.

1. Check fuses or circuit breakers.
2. Check line wire connections to fan and switch wire connections in switch housing.  
**CAUTION:** Make sure main power is off.

### Fan sounds noisy.

1. Allow a 24-hour "break-in" period. Most noises associated with a new fan go away during this time.
2. Make sure all motor housing screws are snug.
3. Make sure the screws that attach the fan blade bracket to the motor hub are tight.
4. Some fan motors are sensitive to signals from solid-state variable speed controls. If you have installed this type of control, choose and install another type of control.

### Fan Wobbles

1. Check that all blade and blade holder screws are secured.
2. Use the enclosed blade balancing kit if blade wobble is still excessive. (See instructions included with the balancing kit.)

NOTE: All blade sets are grouped by weight. Because natural woods vary in density, the fan may wobble even though blades are weight matched.

# 12. SPECIFICATIONS

Fan Size	Speed	Volts	Amps	Watts	RPM	CFM	N.W.	G.W.	C.F
42"	Low	120	0.191	8.5	93	4200			
	Med	120	0.288	19.6	138	2700	4.9	5.4	0.8
	High	120	0.460	54.5	218	1500	KGS	KGS	

These are typical readings. Your actual fan may vary. They do not include Amps and Wattage used by the light kit.





For any additional information about your Minka-Aire™ Ceiling Fan, please write to:

**minkaAire™** 1151 W. Bradford Ct.  
Corona, CA 92882

For customer assistance call: 1-800-307-3267

MKA3111010



o llamar al servicio de clientes al teléfono: 1-800-307-3267 MKA3111010

**minkaAire**<sup>™</sup>  
151 W. Bradford Ct.  
Corona, CA 92882

Para más información sobre su Ventilador de Minka-Aire<sup>™</sup> escriba:





# 1.1. DETECCION DE FALLAS

## Problema Solución

1. El ventilador no arranca  
Revise los fusibles o el circuito de interruptores.

2. Revise las conexiones del ventilador.  
**PRECAUCIÓN:** Asegúrese que el circuito central está apagado.

El ventilador hace mucho ruido

1. Permitase un "periodo de gracia" de 24 horas. La mayoría de los ruidos asociados con un nuevo ventilador desaparecen durante este tiempo

2. Asegúrese que todos los tornillos del bastidor del motor estén apretados.

3. Asegúrese que los tornillos que unen el soporte de las aspas del ventilador al motor del ventilador estén apretados.

4. Algunos motores de ventilador son sensible a señales de controles de velocidad variable de estado sólido. Si usted tiene instalado este tipo de control, escoja e instale otro tipo de control.

El ventilador tiembla

1. Revise que los tornillos de todas las aspas y de todas las abrazaderas de las aspas estén firmes.

2. Use el juego de balanco que viene con el ventilador si el temblor de la(s) aspa(s) todavía es excesivo. (Vea las instrucciones incluidas con el juego de balanco.)

NOTA: Todos los juegos de aspa están agrupados por peso. Debido a la madera natural varía en densidad, puede que el ventilador tiemble aunque el peso de las aspas sea el mismo.

# 1.2. ESPECIFICACIONES

Tamaño del Ventilador	Velocidad	Volts	Amperes	Watts	RPM	CFM	N.W.	G.W.	C.F.
Low	120	8.5	0.191	93	4200				
Med	120	19.6	0.288	138	2700		4.9	5.4	0.8
High	120	54.5	0.460	218	1500				

Estas son medidas aproximadas. No incluyen Amperes y Watts utilizados por el equipo de iluminación.







# MANTENIMIENTO 10.

**4.** Usted puede aplicar una capa ligera de lustre muebles a la madera para protección adicional y aumentar la belleza. Cubra las rayaduras pequeñas con una ligera aplicación de pasta de zapatos.

**5. No necesita aceitar su ventilador.** El motor tiene cojinetes con lubricación permanentemente.

**6.** Todas las partes de vidrio deben de limpiarse usando agua tibia jabonosa y un trapo suave o una esponja.

NO SUMERJA EL VIDRIO EN AGUA CALIENTE, NO PONGA EL VIDRIO EN LA LAVADORA AUTOMATICA DE PLATOS.

**ADVERTENCIA**  
Asegúrese que la energía eléctrica esté apagada en la caja de control antes de intentar hacer cualquier reparación. Reférrase a la sección "HACIENDO LAS CONEXIONES ELÉCTRICAS".

Aquí hay algunas sugerencias para ayudarlo con el mantenimiento de su ventilador.

**1.** Debido al movimiento natural del ventilador, puede que se suelten algunas conexiones. Revise las conexiones que sostienen el ventilador, las abrazaderas y los accesorios de las aspas dos veces al año. Asegúrese que estén firmes. **(No es necesario sacar el ventilador del techo.)**

**2.** Limpie periódicamente su ventilador para que mantenga la apariencia de nuevo durante muchos años. No use agua para limpiarlo. Esto puede dañar el motor, las aspas o posiblemente puede causar un cortocircuito.

**3.** Use solamente un cepillo suave o un trapo que no deje pelusas para evitar que se dañe el terminado. La pátina está sellada con laca para minimizar la decoloración o la pérdida de brillo.





# 9. OPERANDO SU VENTILADOR

CONECTE LA ENERGÍA ELÉCTRICA AL VENTILADOR PARA ASEGURARSE QUE ESTÁ OPERANDO APROPIADAMENTE.

Los ajustes de velocidad para clima caliente o frío dependen de factores tales como el tamaño del cuarto, la altura del techo, cantidad de ventiladores, etc.

**NOTA: ESPERE QUE SU VENTILADOR SE DETENGA COMPLETAMENTE ANTES DE CAMBIAR LA DIRECCION DE LAS ASPAS.**

El interruptor corredizo, en la caja del interruptor, controla la dirección "adelante" y "reversa" del ventilador. **Abajo o hacia la izquierda** es, para operar con clima cálido. **Arriba o hacia la derecha** es, para operar con clima frío.

**Clima Caliente** - (En sentido contrario del reloj) Una corriente de aire descendente crea un efecto refrescante como se muestra en la figura 18. Esto le permite ajustar su aire acondicionado a una temperatura más alta sin que esto afecte su bienestar.

**Clima frío** - (En sentido del reloj) Una corriente de aire ascendente empuja el aire caliente del área del techo como se muestra en la Figura 19. Esto le permite ajustar su calefacción a una temperatura más baja sin que esto afecte su bienestar.

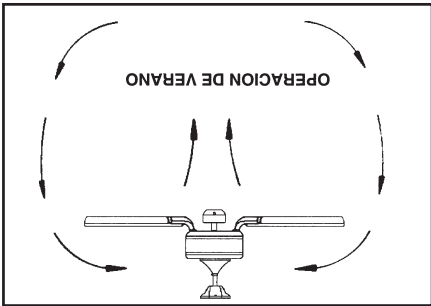


FIG. 18

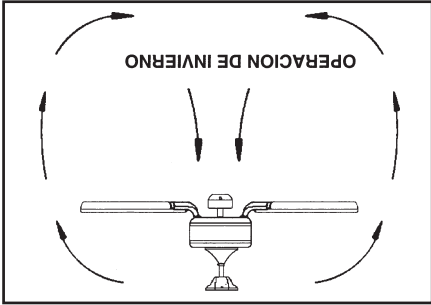


FIG. 19

La cadena de colgar de su ventilador controla los ajustes de velocidad de la siguiente manera:

- Primer Jalón - Velocidad Alta
- Segundo Jalón - Velocidad Media
- tercer Jalón - Velocidad baja
- Cuarto Jalón - Apaga el Ventilador

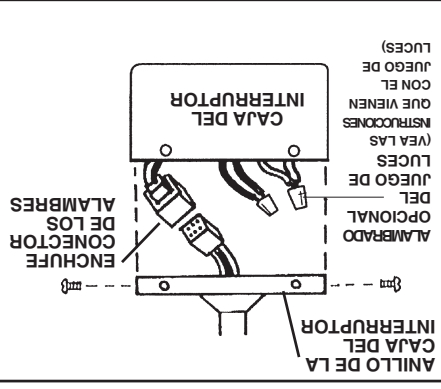


FIG. 17

**Paso 2.** Monte las perillas en la cadenas de jalar en la caja del interruptor.

**Paso 1.** Saque los tornillos del anillo de la caja del interruptor. Mientras sostiene la caja del interruptor debajo de su ventilador, una los enchufes conectores de los alambres. (Fig. 17) Después empuje la caja del interruptor hacia arriba, hacia el anillo de la caja del interruptor, de tal forma que los agujeros queden alineados. Vuelva a poner los tornillos y apriéte los.

## 8. COLOCANDO LA CAJA DEL INTERRUPTOR

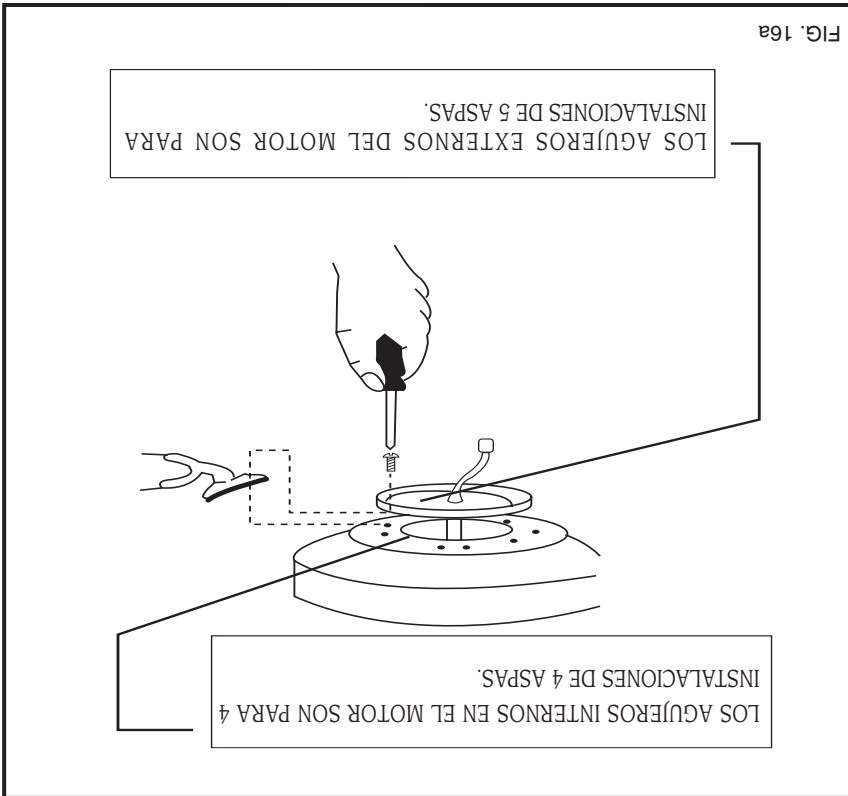


FIG. 16a





# 7. INSTALACION DE LAS ASPAS

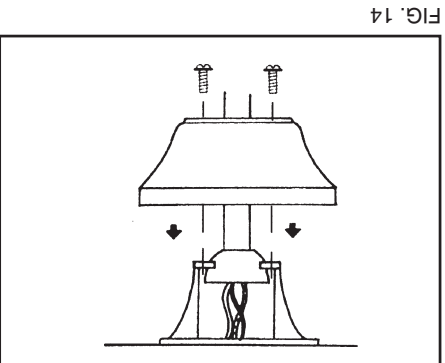


FIG. 14

# 6. TERMINANDO LA INSTALACION

**Paso 1.** Deslice la cubierta hacia el techo como se muestra en la Figura 14. Asegúrese de meter los alambres ordenadamente en la caja de distribución. Asegure la cubierta contra la abrazadera de montaje con los tornillos que vienen con la abrazadera.

**Paso 1.** Monte la aspa a la abrazadera de la aspa usando los tornillos y rondanas de fibra incluidos. Apriete los tornillos firmemente. Repita con todas las aspas. (Fig. 15.)

**Paso 2.** Quite los topes de goma y deséchelos. Instale la union de las aspas al motor asegurandolas con los tornillos y rondanas incluidas. (Fig. 16 & 16a)

Nota: Usted tiene la opción de instalar cinco (5) o cuatro (4) aspas. Si está usando cuatro aspas, monte la abrazadera de la aspa en los agujeros para tornillos en el interior del motor. Si está usando cinco aspas, monte la abrazadera de la aspa en los agujeros para tornillos en la parte exterior del motor. (Fig. 16 & 16a)

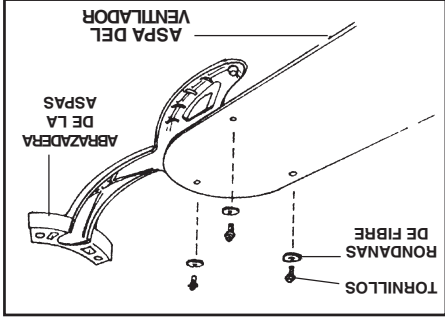


FIG. 15

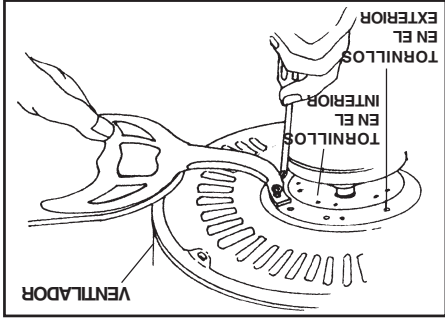
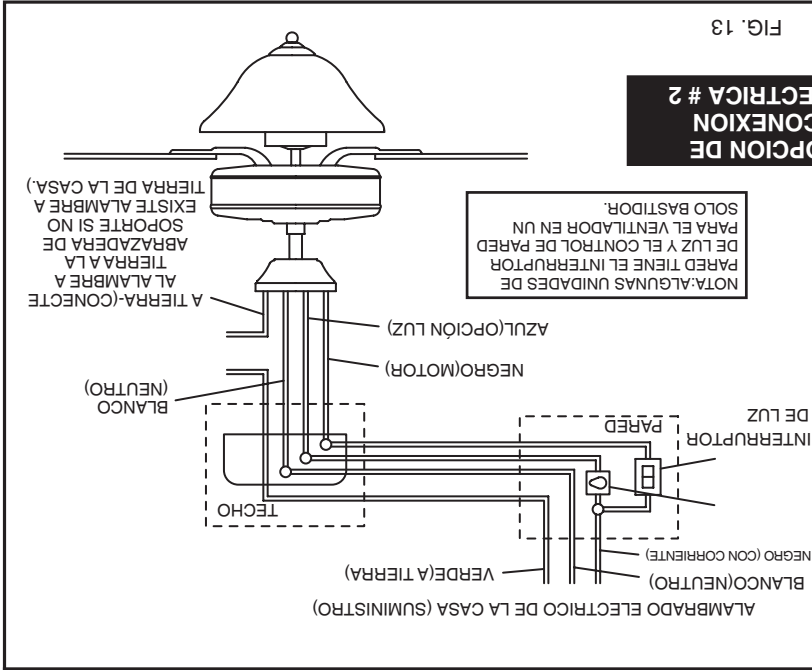
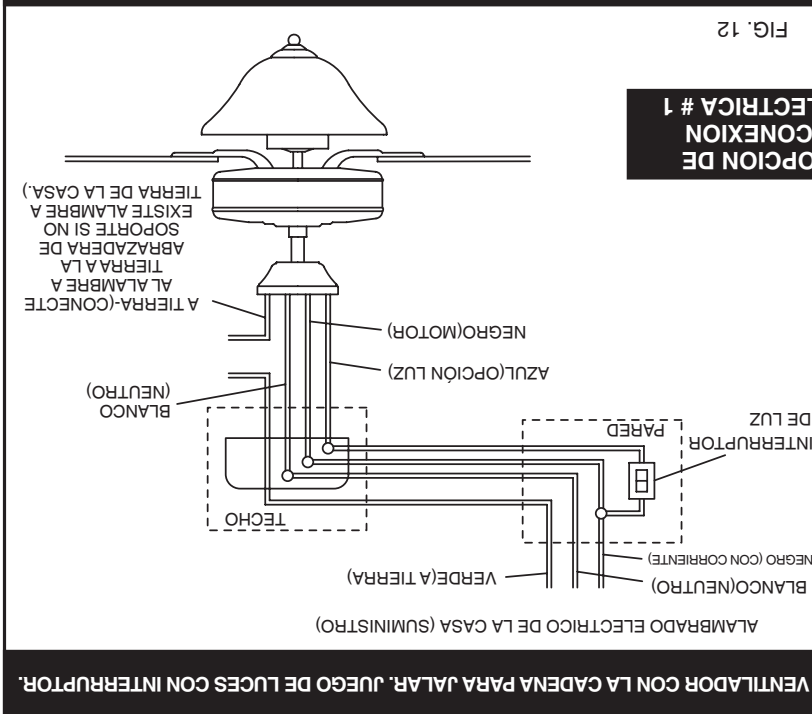


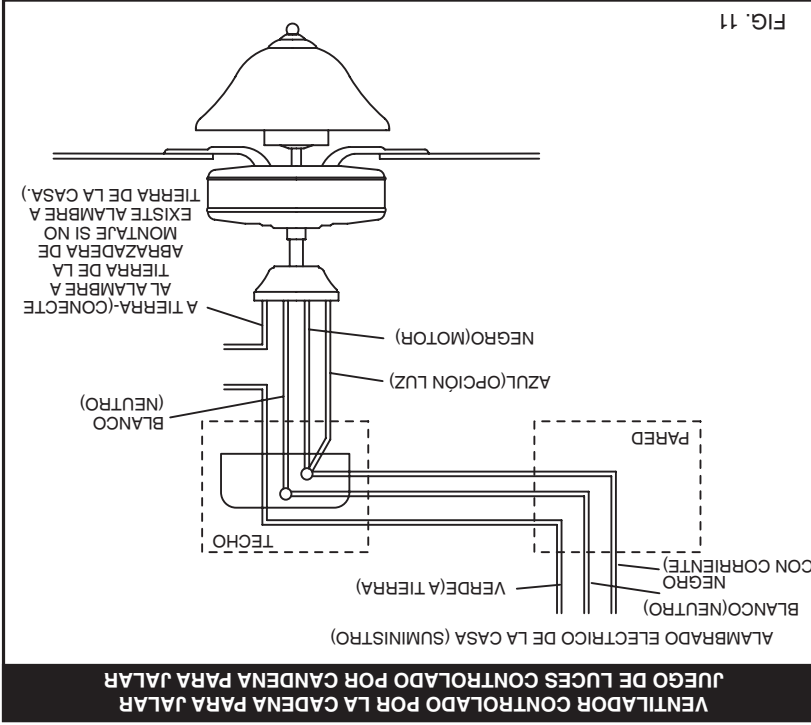
FIG. 16





**VENTILADOR CONTROLADO POR EL CONTROL DE PARED  
 JUEGO DE LUCES CONTROLADO POR EL INTERRUPTOR DE LUZ**





## 5. LAS CONEXIONES ELECTRICAS

**ACUERDESE** no se olvide de desconectar la energía eléctrica en el circuito principal o en la caja de fusibles.

Siga los siguientes pasos para conectar el ventilador a los alambres de la casa que suministran la energía eléctrica. Use los conectores de alambres que vienen con su ventilador. Para que los conectores queden firmes, envuelva la conexión con cinta aislante.

**Paso 1.** Conecte el alambre negro (con corriente) del techo a los alambres negro y azul del ventilador. Conecte el alambre blanco (neturo) del techo al alambre blanco del ventilador. (Fig. 10)

**Paso 2.** Si su caja de distribución tiene un alambre a tierra (verde o de cobre), conecte los alambres a tierra del ventilador (en la esfera o abrazadera de montaje) al alambre a tierra de la caja de montaje. Si no tiene alambre a tierra en su caja de distribución conecte el alambre a tierra de la esfera de soporte del ventilador directamente a la abrazadera de montaje (Fig. 10)

**Paso 3.** Las figuras 11 y 12 muestran las conexiones eléctricas que se usan con la unidad de pared opcional. (Disponible en su distribuidor Minka-Aire™.)

**NOTA:** Si su ventilador no incluye un juego de luces, puede comprar uno con distribuidor Minka-Aire™.

ventilador. (Fig. 10)





# COLGANDO EL VENTILADOR 4.

**RECUERDE** de cortar la corriente eléctrica. Siga los pasos siguientes para instalar correctamente su ventilador en el techo.

**Paso 1.** Asegure la abrazadera de montaje a la caja de distribución del techo usando los tornillos de la caja de distribución y las rondanas incluidas con el ventilador (Fig. 5).

**Paso 2.** Afloje los dos tornillos fijos de la parte superior del montaje del motor. (Fig. 6)

**Paso 3.** (Fig. 7) Afloje el tornillo fijo de la esfera de soporte y quite la chaveta de tubo de montaje. Quite la chaveta de seguridad y la chaveta móvil.

**Paso 4.** Meta cuidadosamente los alambres del ventilador hacia arriba a través del tubo de montaje. Atornille el tubo de montaje sobre la conexión hasta que los agujeros del tubo de montaje y la conexión queden alineados. Re-instale la chaveta móvil y la chaveta de seguridad. Apriete bien los tornillos fijos que aflojó previamente. (Fig. 9)

**Paso 5.** Deslice la cubierta sobre el tubo de montaje seguida por la esfera de soporte. Instale el perno asegurándose que la esfera siente sobre el perno correctamente. Apriete el tornillo fijo de la esfera de soporte. (Fig. 9)

**Paso 6.** Ahora suba el montaje del motor a su posición y coloque la esfera de soporte dentro de la abrazadera de montaje. Gire el ensamblaje del motor hasta que la ranura de la esfera de soporte siente sobre la astria de la abrazadera de montaje. (Fig. 10)

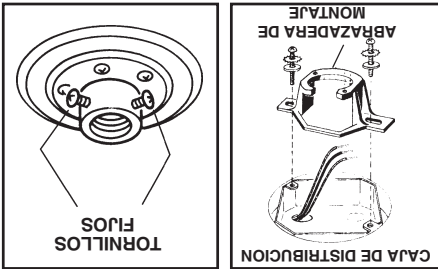


FIG. 5

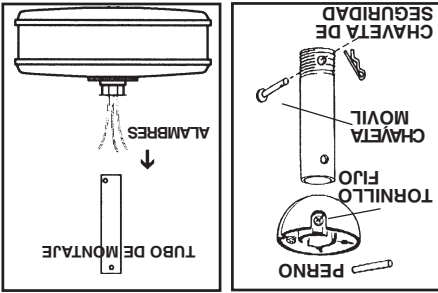


FIG. 7

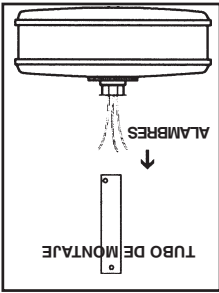


FIG. 8

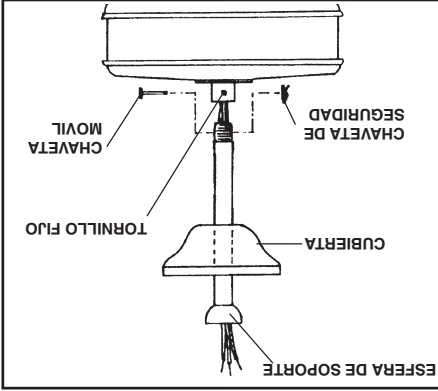


FIG. 9

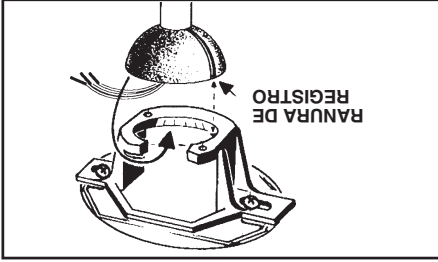


FIG. 10





Si no existe una caja de distribución, lea las siguientes instrucciones. **Desconecte la energía eléctrica sacando los fusibles o apagando el interruptor automático.** Asegure la caja de distribución directamente a la estructura del edificio. Use los soportes y materiales de construcción apropiados. La caja de distribución y el soporte deben de ser capaces de soportar todo el peso del ventilador en movimiento (50 lbs. o 22.7 kgs.). **Use una caja de distribución metálica (aprobada). No use una caja de distribución de plástico.**

Las figuras 1, 2 y 3 son ejemplos de las diferentes formas de montar una caja de distribución. **Nota:** Puede ser que usted necesite un tubo de montaje más largo para mantener el espacio necesario de las aspas cuando las instalación se haga en un techo con un declive pronunciado. Puede conseguir **Minka-Aire™** tubos más largos con su Distribuidor **Minka-Aire™**. Para coligar su ventilador donde exista una instalación pero no haya una viga, puede que usted necesite instalar un tubo de montaje como se muestra en la Figura 4 (puede solicitarlas a su Distribuidor **Minka-Aire™**).

## OPCIONES DE MONTAJE

FIG. 3

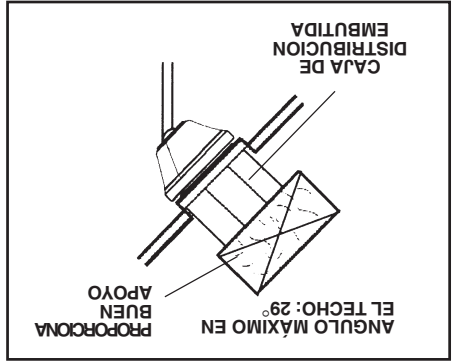


FIG. 1

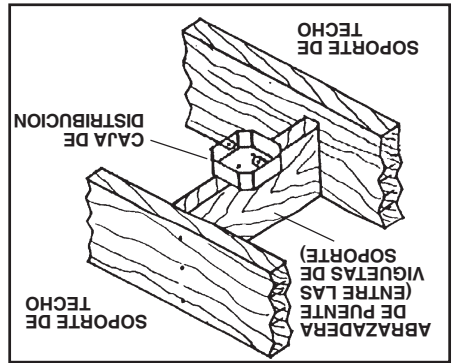


FIG. 4

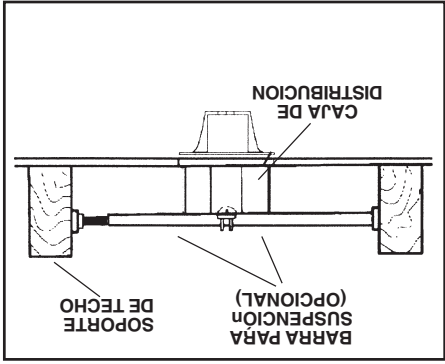
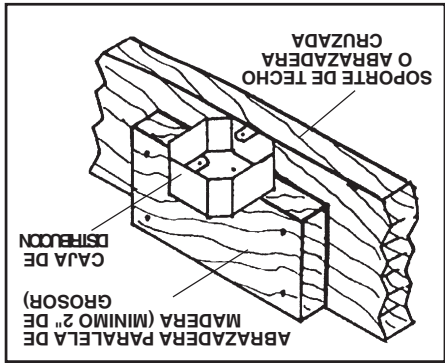


FIG. 2



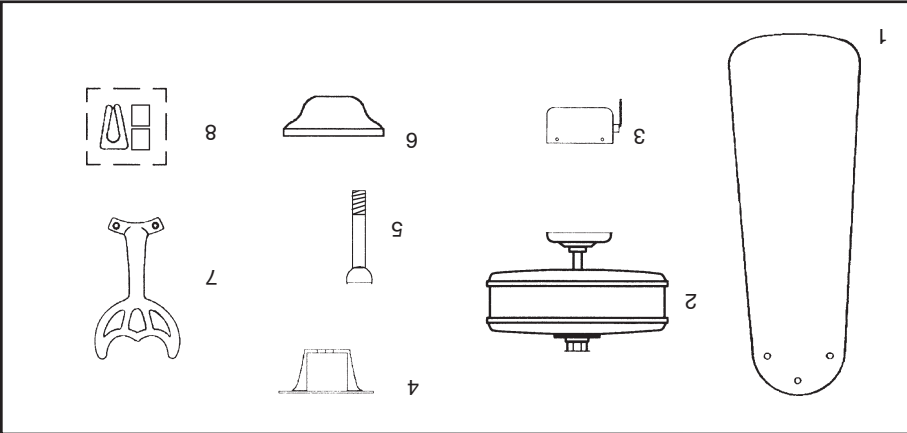
Herramientas Necesarias: Desarmador de cruz, desarmador de cabeza plana, llave inglesa (perica), escalera cortador de alambre, cinta aislante.

## 3. COMENZANDO LA INSTALACION



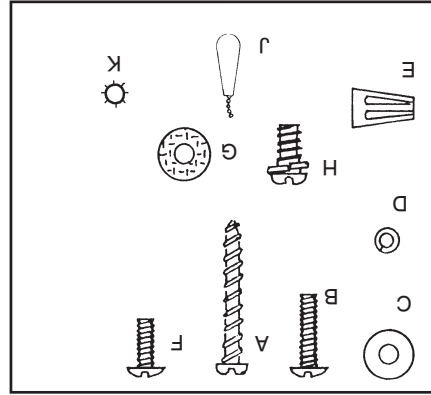


# CONTENIDO DEL PAQUETE 2.



Desempaque su ventilador y verifique el contenido. Usted deberá tener los siguientes artículos:

1. Aspas del ventilador (5 pcs.)
2. Conjunto del motor del ventilador/
3. Caja del interruptor
4. Abrazadera de Colgar
5. Barra del ensamblaje estándar
6. Cubierta superior
7. Soporte del aspa (5 pcs.)
8. Juego de balanceo



## Ferreteria de Montaje:

Montaje de la caja de Luces:

- (A) 10" x 1 - 1/2" L (10" x 38mm) tornillos (2 pcs.)
- (B) 8-32 x 1-1/2" (8-32 x 36mm) tornillos (2 pcs.)
- (C) Rondanas de metal (2 pcs.)
- (D) Rondanas de seguridad (2 pcs.)
- (E) Capsula de alambres (3 pcs.)
- (K) Arandela dentada (2 pcs.)

- (F) 3/16"-24 x 5/16" L (3/16"-24 x 8 mm) Tornillos de Cabeza (15 pcs.)

## Piezas de Fijación de las Aspas:

- (G) Rondanas de fibra (15)
- (H) 1/4"-20 x 7/16" L (1/4"-20 x 11mm) Tornillos con Rondanas de Seguridad (10 pcs.)
- (I) Tirador (1 pcs.)

## Piezas de Ferreteria para el Soporte de las Aspas

- (H) 1/4"-20 x 7/16" L (1/4"-20 x 11mm) Tornillos con Rondanas de Seguridad (10 pcs.)

## Piezas de Caja del Interruptor

- (I) Tirador (1 pcs.)





# 1. LA SEGURIDAD PRIMERO

**1.** Antes de comenzar a instalar el ventilador **desconecte la corriente eléctrica** sacando los fusibles o apagando el circuito central.

**2.** Sea cuidadoso! Lea las instrucciones y la información sobre seguridad antes de instalar su nuevo ventilador. Revise los diagramas de ensamblaje que vienen con el ventilador.

**3.** Asegúrese que todas las conexiones eléctricas cumplan con los códigos y ordenanzas locales o con los Códigos Eléctricos Nacionales. Contrate un electricista calificado o consulte un manual de "Hágalo usted mismo" sobre alambrado eléctrico si no está familiarizado con la instalación del alambrado eléctrico.

**4.** Asegúrese que el lugar que usted escoja para la instalación permita que las aspas giren sin ninguna obstrucción. Permita un margen de espacio **mínimo de 7 pies** entre la parte de arriba y el borde más bajo de las aspas. Las aspas del ventilador deben de tener un margen de espacio **mínimo de 18 pulgadas** de separación de la pared.

**8.** Después de instalar el ventilador asegúrese que todas las partes del montaje estén firmes para prevenir que se caiga el ventilador.

**9.** No inserte ninguna cosa entre las aspas del ventilador cuando el ventilador esté en operación.

**10.** Apague el ventilador y espere hasta que pare para invertir la dirección de las aspas.

**NOTA:** Las importantes garantías e instrucciones que aparecen en este manual no están hechas para cubrir todas las posibles condiciones y situaciones que se puedan presentar. Se debe de entender que el sentido común, precauciones y cuidado son factores que no se pueden incluir en este producto. Esto factores deben de ser suministrados por la(s) persona(s) que instalen, cuiden y operen el ventilador.

**ADVERTENCIA**  
MONTE DIRECTAMENTE EN LA ESTRUCTURA DEL EDIFICIO.  
PARA REDUCIR EL RIESGO DE INCENDIO, CHOQUE ELÉCTRICO U OTRA LESIÓN PERSONAL, MONTE EL VENTILADOR SOLAMENTE EN UNA CAJA DE DISTRIBUCIÓN O SISTEMA DE SOPORTE QUE ESTÉ EN LA LISTA U.L. Y MARCADO COMO ACEPTABLE PARA SOPORTAR EL VENTILADOR Y USE LOS TORNILLOS DE MONTAJE QUE VIENEN CON LA CAJA DE LAS RONDANAS QUE VIENEN CON SU VENTILADOR; LA MAYORÍA DE LAS CAJAS DE DISTRIBUCIÓN COMUNMENTE USADAS PARA MONTAR LAS LAMPARAS NO SON ACEPTABLES PARA SOPORTAR EL VENTILADOR Y ES NECESARIO REMPLAZARLAS. PARA REDUCIR EL RIESGO DE LESIÓN PERSONAL, NO INSERTE OBJETOS EXTRAÑOS ENTRE LAS ASPAS MIENTRAS LAS ASPAS ESTÉN GIRANDO.  
PARA REDUCIR EL RIESGO DE INCENDIO O CHOQUE ELÉCTRICO, NO USE ESTE VENTILADOR CON NINGÚN APARATO DE CONTROL DE VELOCIDAD DE ESTADO SÓLIDO.





american  
lighting  
association

1 151 W. Bradford Ct., Corona, CA 92882  
All Rights Reserved



1 LA SEGURIDAD PRIMERO..... 1

2 CONTENIDO DEL PAQUETE ..... 2

3 COMENZANDO LA INSTALACION..... 3

4 COLGANDO EL VENTILADOR..... 4

5 LAS CONEXIONES ELECTRICAS..... 5

7 TERMINANDO LA INSTALACION..... 7

8 COLOCANDO LA CAJA DEL INTERRUPTOR..... 8

9 OPERANDO SU VENTILADOR..... 9

10 MANTENIMIENTO..... 10

11 DETECCION DE FALLAS ..... 11

12 ESPECIFICACIONES..... 12

# CONTENIDO



## GARANTIA LIMITADA DE POR VIDA

Minka-Aire garantiza al propietario original que este ventilador no tendrá defectos en materiales ni mano de obra por un año a partir de la fecha de compra, excluyendo el motor. Minka-Aire garantiza al propietario original que el motor de este ventilador no tendrá defectos en materiales ni mano de obra mientras el comprador original posea el ventilador, y mientras permanezca en su instalación original. Esta es una garantía limitada. La única obligación de Minka-Aire bajo esta garantía limitada será reemplazar o reparar, o reembolsar el precio de compra, a sola discreción de Minka-Aire, sin cargo para el propietario original del ventilador. Luego que Minka-Aire confirme que el ventilador tiene un defecto cubierto por esta garantía limitada.

Llame a nuestro departamento de atención al cliente al 1-800-307-3267 para obtener el nombre del representante autorizado de Minka-Aire más cercano, o contáctenos a través de nuestro sitio web, [www.minkagroup.net](http://www.minkagroup.net) y escriba a: ask Mr. Minka si tiene alguna pregunta o si requiere ayuda adicional.

Para obtener el servicio de garantía, el propietario debe devolver el ventilador junto con una prueba de la compra a un representante autorizado de Minka-Aire. El representante autorizado de Minka-Aire, a su sola discreción: reparará o reemplazará el ventilador, o reembolsará el precio de compra menos la cantidad directamente atribuible a la utilización del consumidor, o si fuera necesario, indicará al consumidor como contactar con Minka-Aire directamente para el servicio de garantía. Minka-Aire será responsable del costo de cualquier reparación o reemplazo para cualquier servicio de garantía proporcionado por un representante autorizado de Minka-Aire para el producto bajo garantía.

A su elección, usted también puede obtener el servicio de garantía devolviendo el ventilador directamente a Minka-Aire junto con una prueba de su compra, su nombre y dirección, y una descripción de la falla del producto que se reclama. Empaque cuidadosamente, todo daño producido en el tránsito a Minka-Aire será de responsabilidad del propietario original. El propietario original será responsable de pagar todos los cargos de envío. Para obtener el servicio de garantía, usted puede devolver un ventilador que se compruebe defectuoso durante el periodo de la garantía a la dirección siguiente:

Minka-Aire  
Warranty service  
1151 W. Bradford Court  
Corona, CA 92882

Esta garantía no se aplicará a ventiladores que se hayan dañado de cualquier manera que incluya incorrecta instalación, daños durante el desmontaje de su ubicación original, o daños en el envío. Esta garantía no se aplicará a ventiladores que se hayan utilizado de una forma para la cual el ventilador no fue diseñado. El comprador del ventilador será responsable por cualquier costo de retirar el ventilador viejo, instalar uno nuevo, o por cualquier otro costo.

Esta garantía limitada está en lugar de todas las otras garantías expresas. Esta garantía limitada excluye todo daño incidental y emergente, y Minka-Aire no será responsable bajo ninguna circunstancia de daños incidentales ni emergentes. Algunos estados no permiten la exclusión ni limitación de daños incidentales ni emergentes, así que la limitación o exclusión anteriores pueden no aplicarse a usted.

Esta garantía le da derechos legales específicos, y usted puede tener también otros derechos que varían de estado a estado.

Lo alentamos a completar inmediatamente y devolver la tarjeta de registro de garantía que se adjunta. Sin embargo, la devolución de la tarjeta no es una condición para la aplicación de esta garantía.

