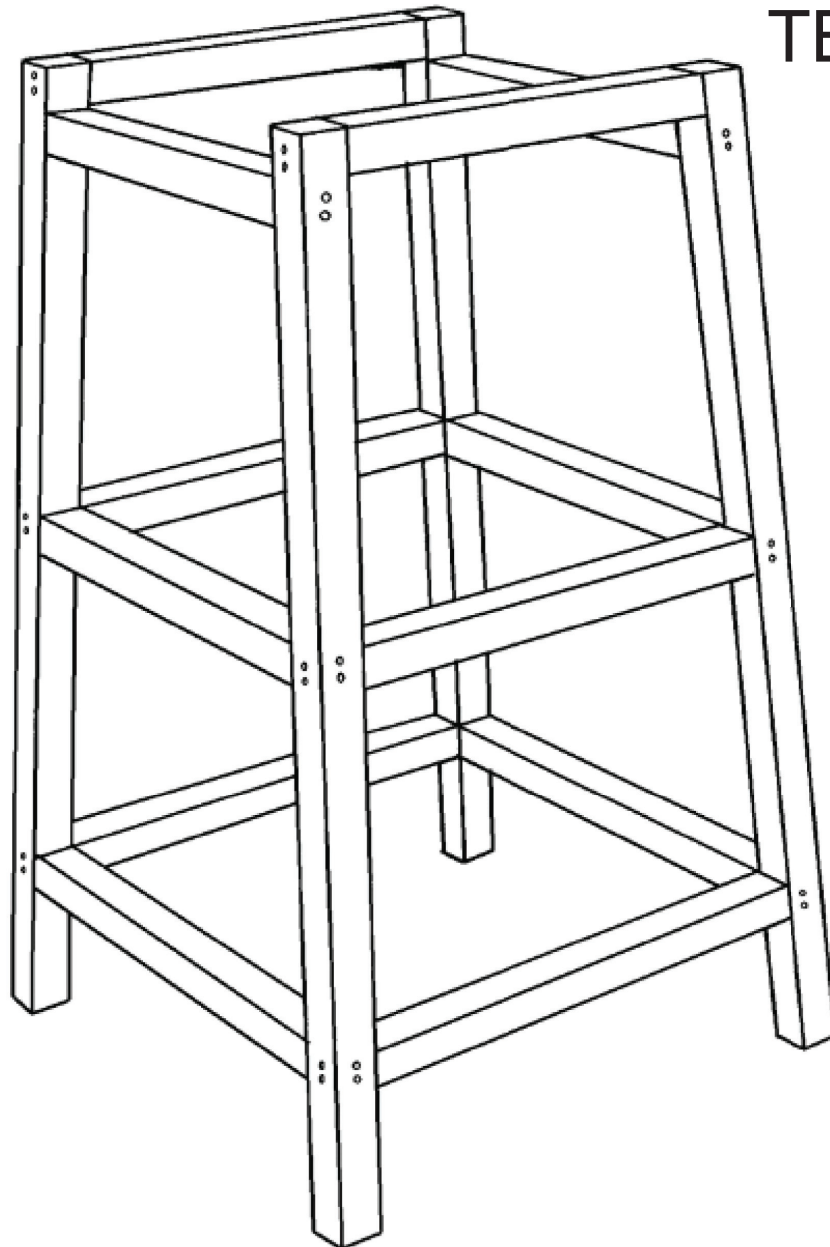


 C.R. PLASTIC
PRODUCTS

we create sustainable outdoor living

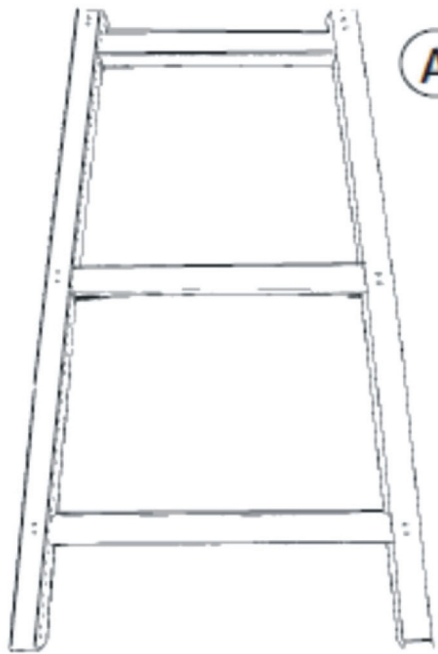


TB03

C.R. PLASTIC PRODUCTS

TB03

we create sustainable outdoor living



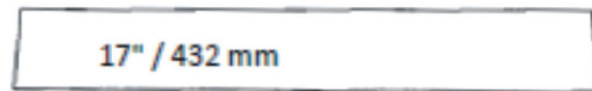
(A) X 2



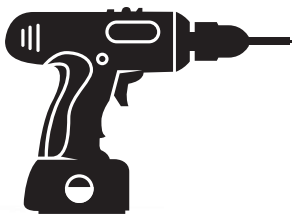
(B) X 2



(C) X 2



(D) X 2



(+) #2

2" / 51mm (! FOR ATTACHING TABLE)



2 1/2" / 64mm



1-866-439-9521



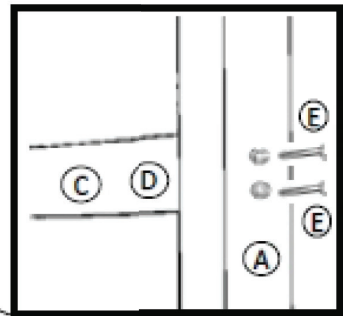
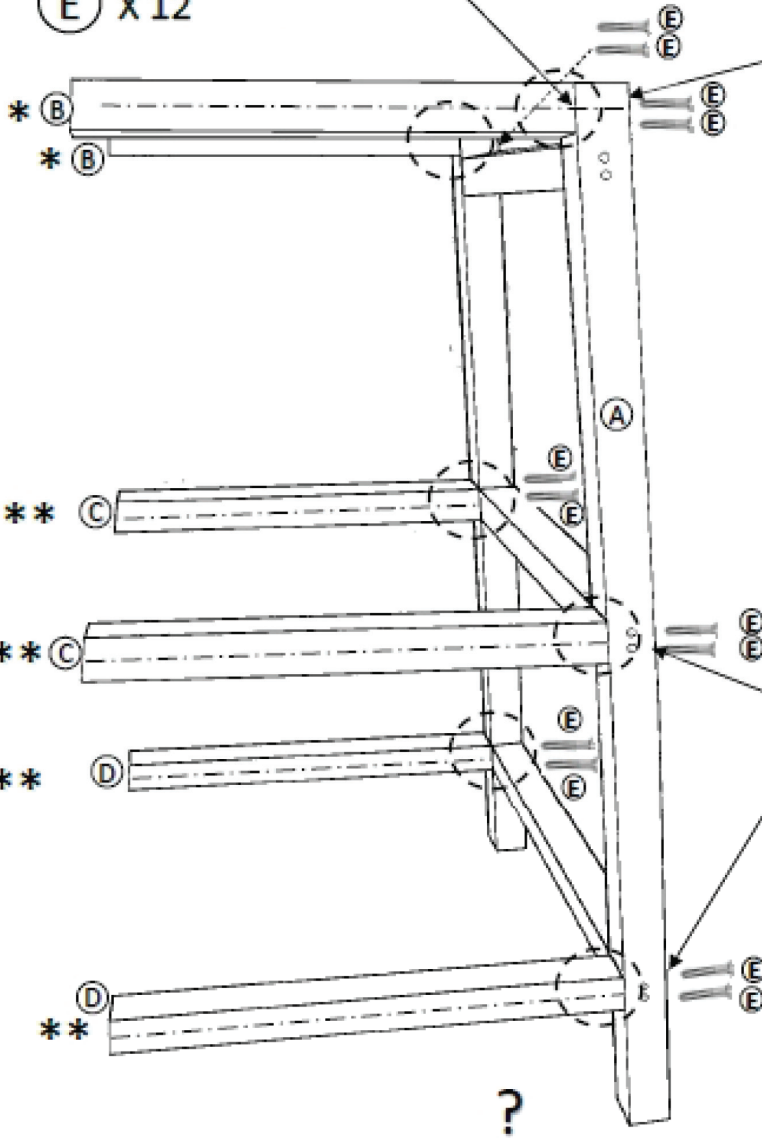
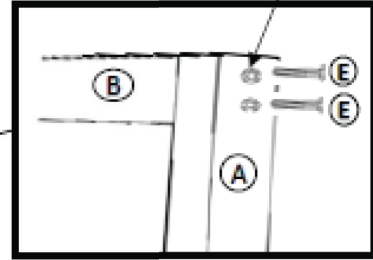
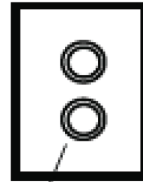
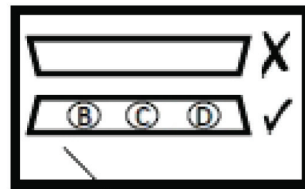
wecare@crplastics.com



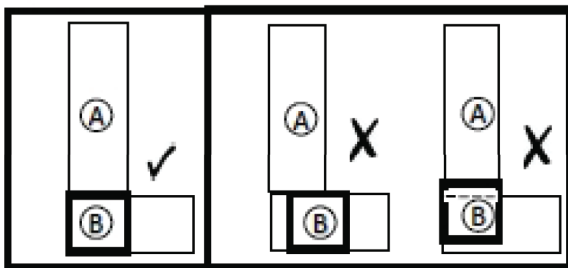
www.crpproducts.com

1

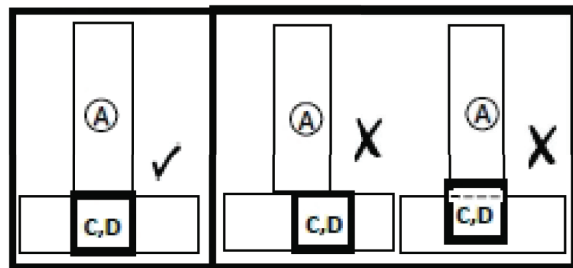
- (A) X1
- (B) X2
- (C) X2
- (D) X2
- (E) X12



*



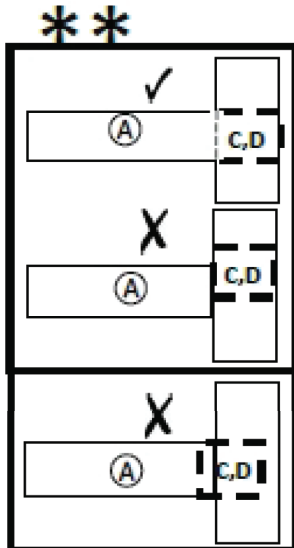
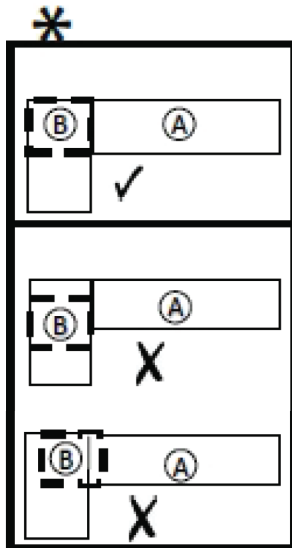
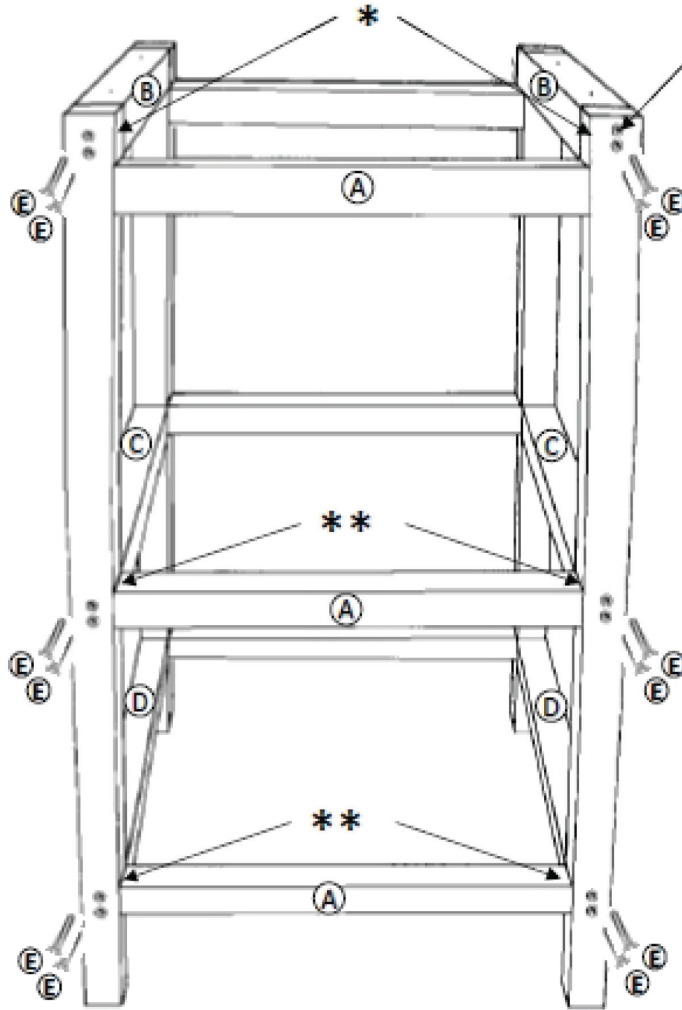
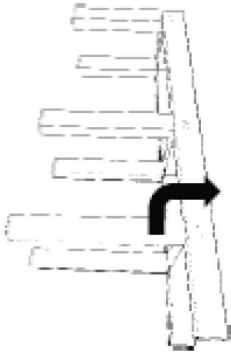
**



2

TB03

- (A) X1
- (E) X12



?

TB03

