

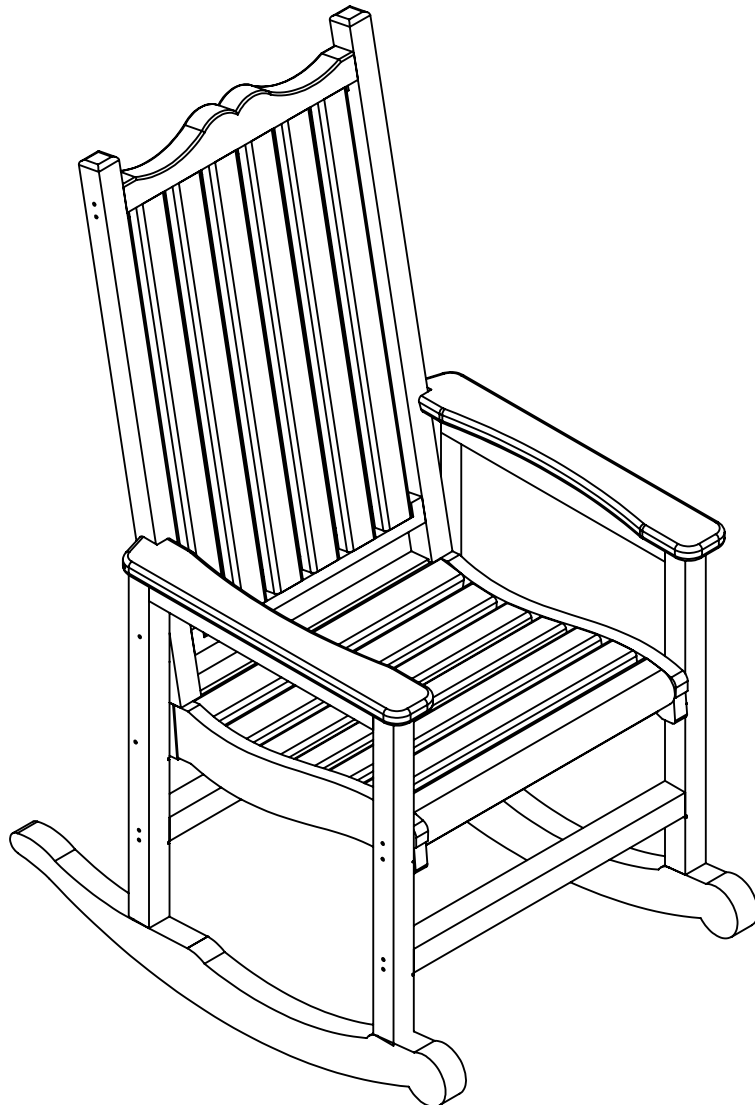


C.R. PLASTIC PRODUCTS



we create sustainable outdoor living

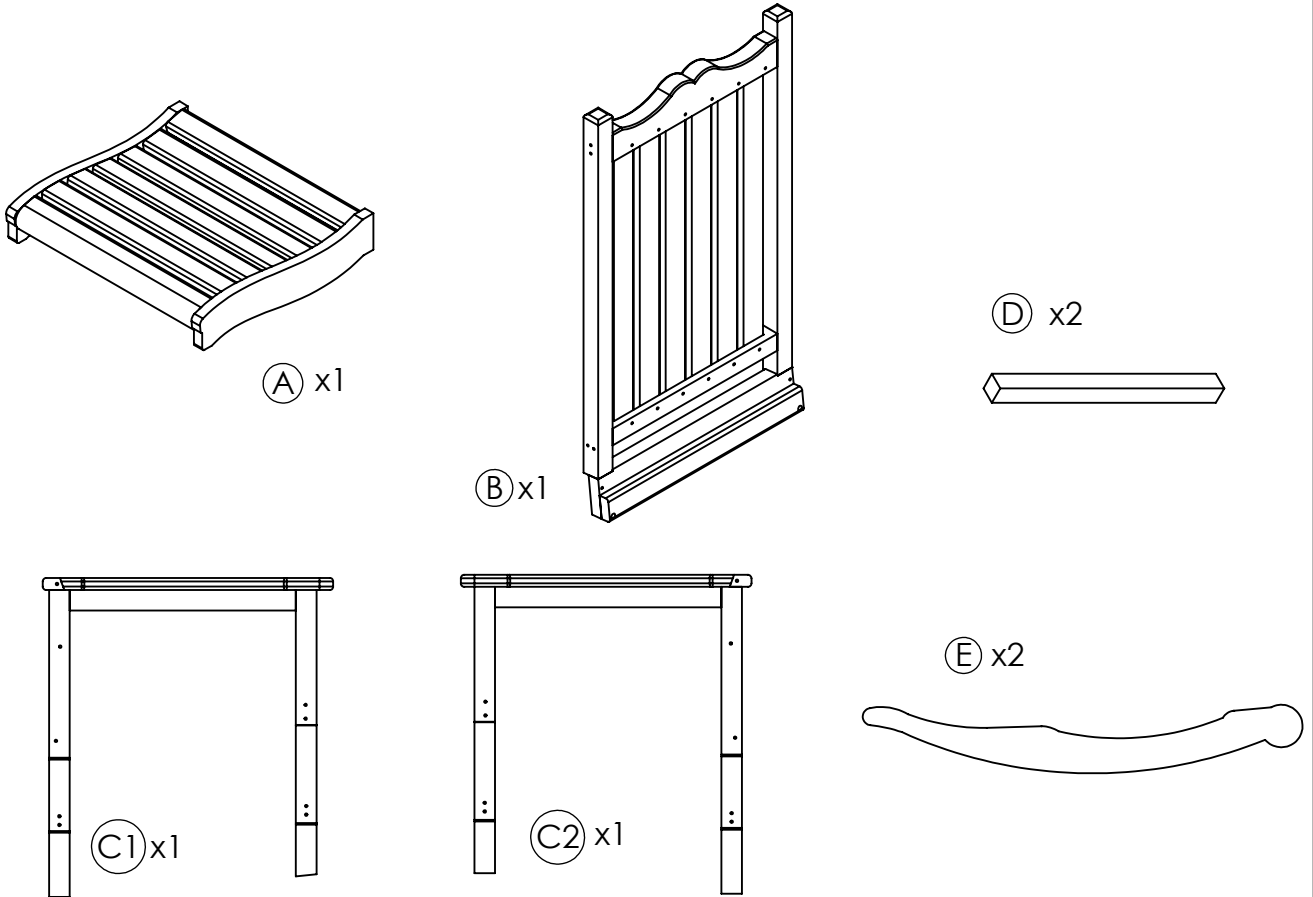
C05



C05

C.R. PLASTIC PRODUCTS

we create sustainable outdoor living



PLEASE DO NOT OVER TIGHTEN SCREWS



#2

2" / 50mm



F x2



#2

2 1/2" / 64 mm



G X20



#2

3 1/2" / 89mm



#3



H X4



800.490.1283

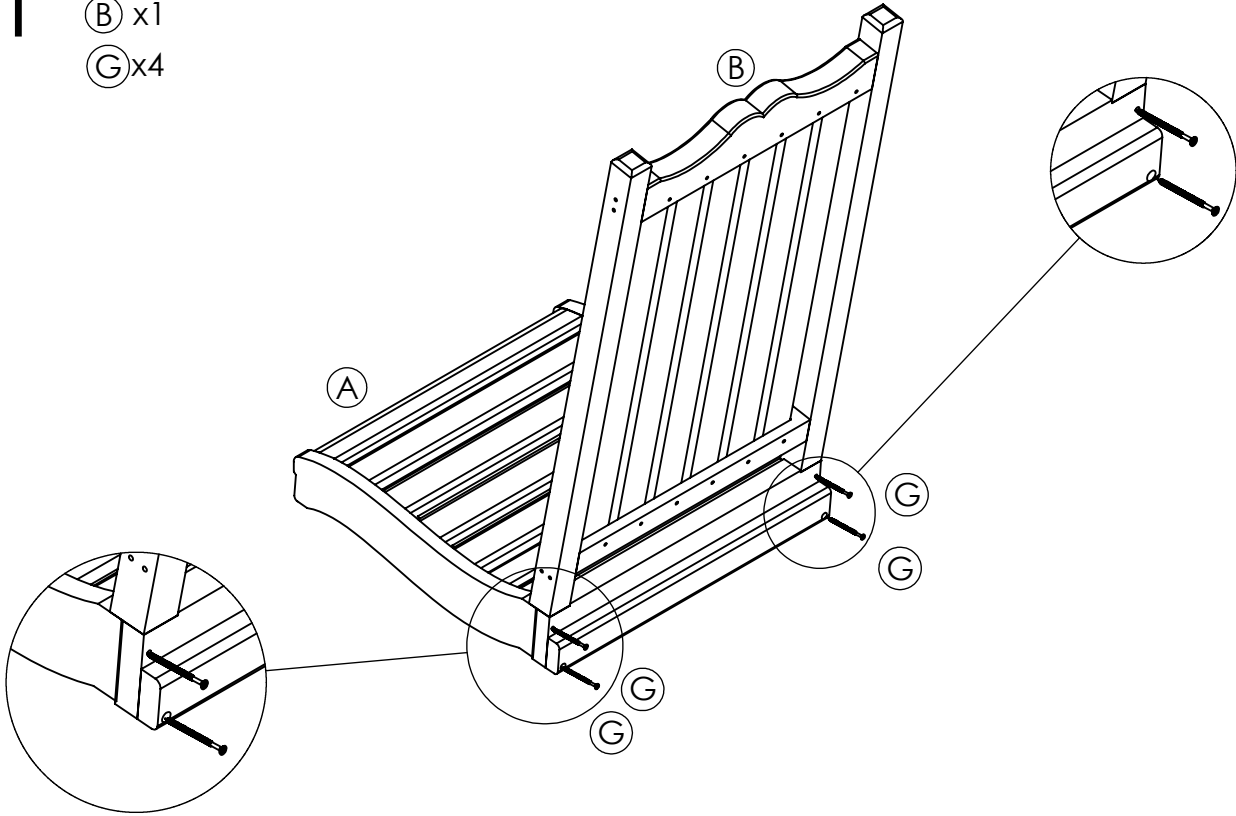


crpproducts.com

FAX 519.271.8544

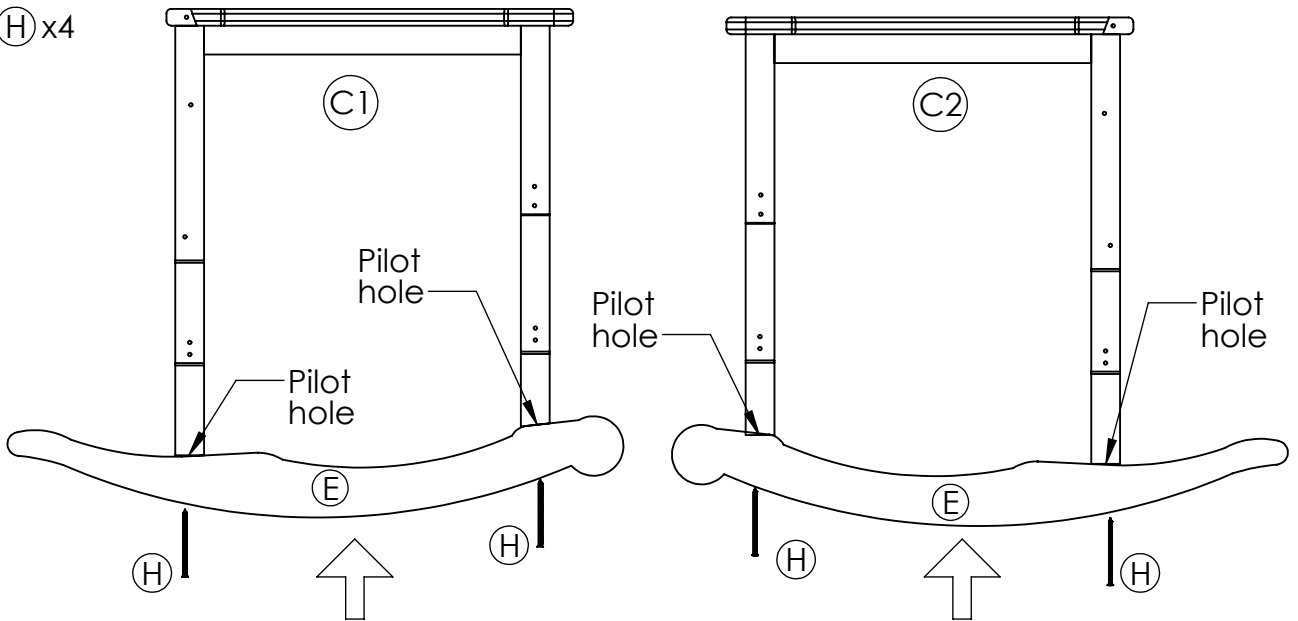
1

- (A) x1
- (B) x1
- (G) x4



2

- (C1) x1
- (C2) x1
- (E) x2
- (H) x4



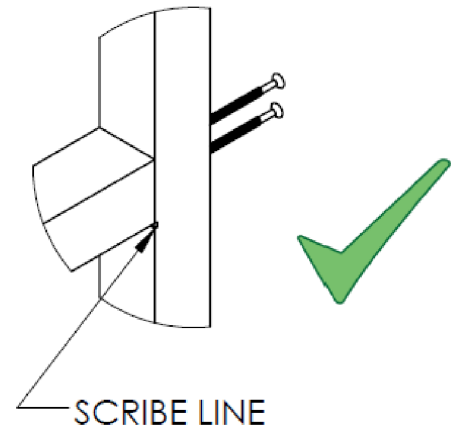
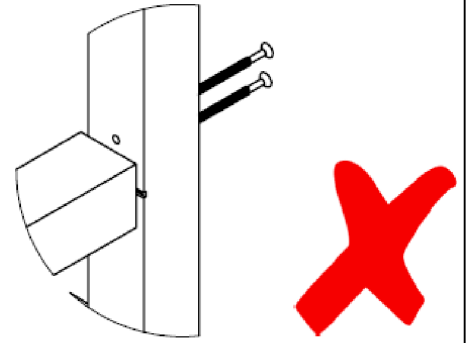
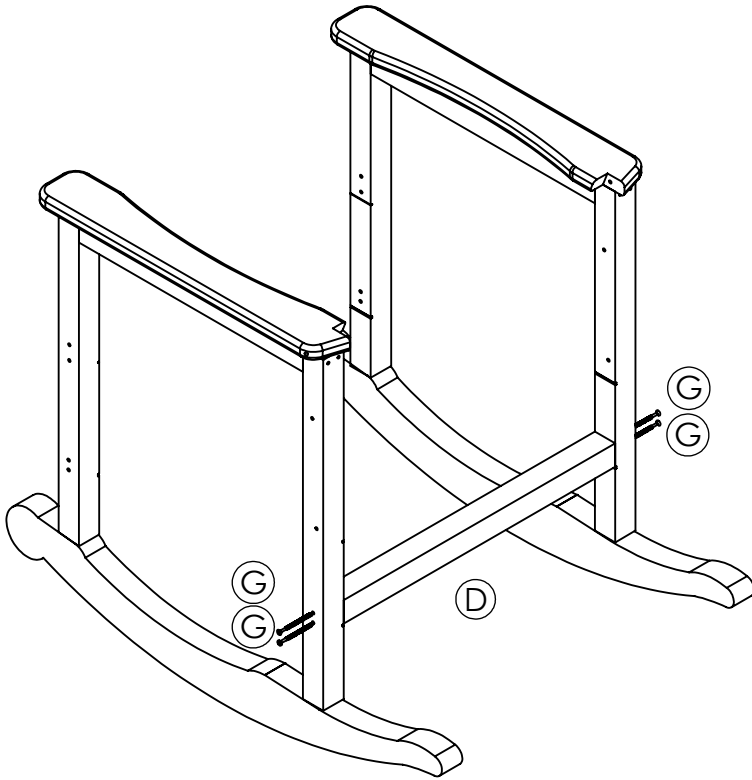
Tip: Drill & re-drill back screw to avoid screw stripping



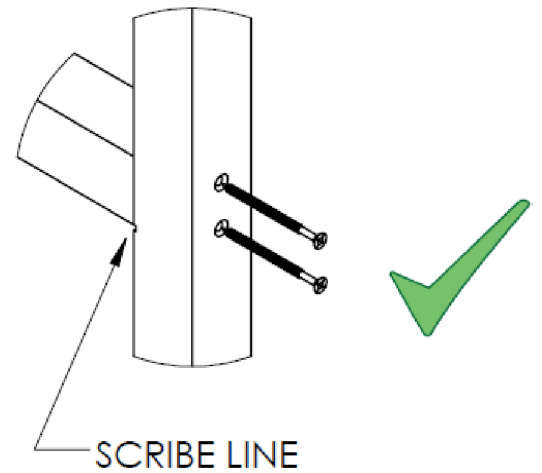
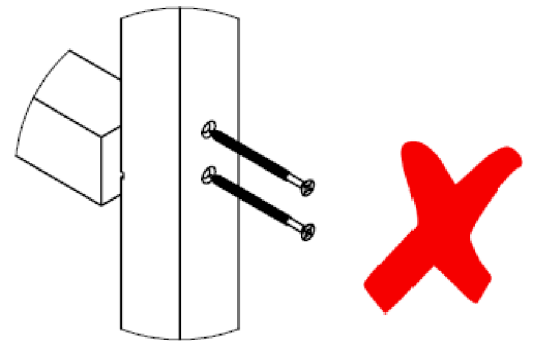
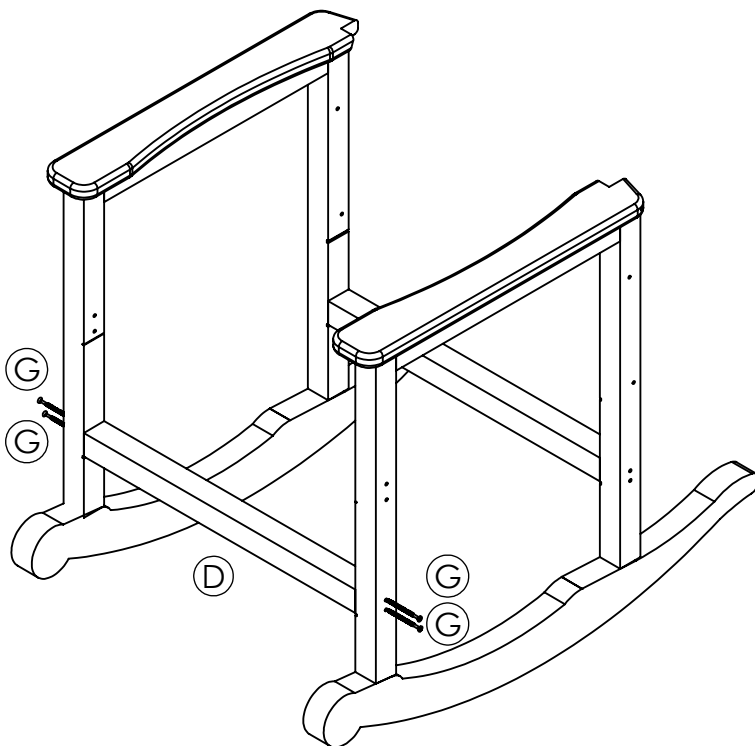
- #2
- ⊕ #3



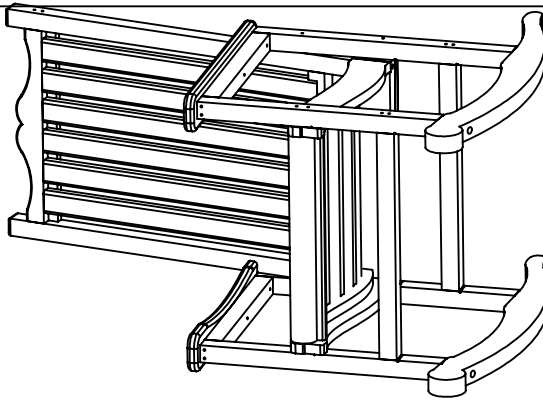
3 (D) x1
(G) x4



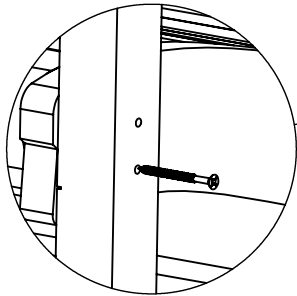
4 (D) x1
(G) x4



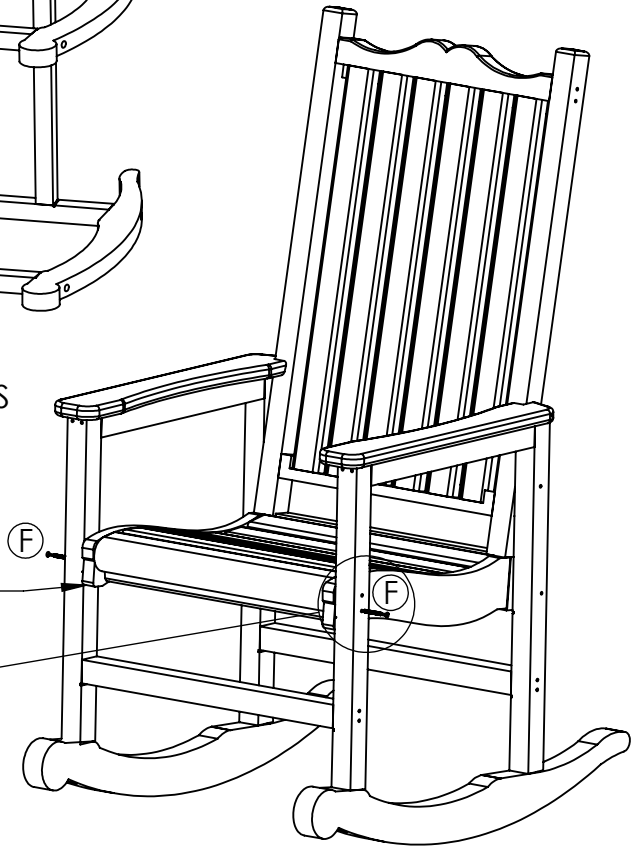
5 (F) x2



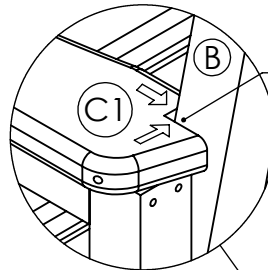
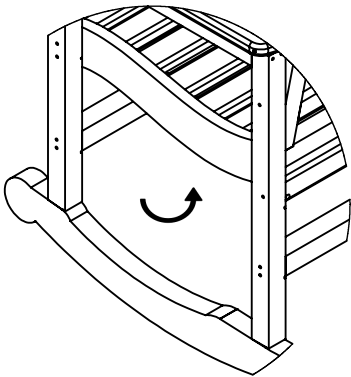
⚠ SECURE SCREWS WHILE CHAIR IS ON IT'S SIDE DURING STEPS 5 AND 6.



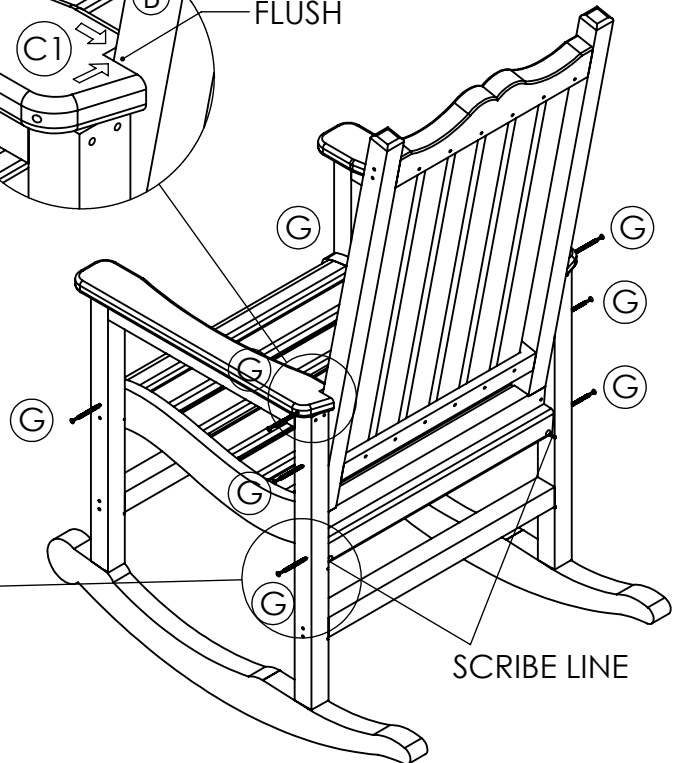
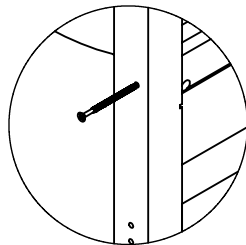
SCRIBE LINE



6 (G)x8



FLUSH



SCRIBE LINE

⚠ ALIGN SEAT WITH SCRIBE LINE AND INSTALL THESE SCREWS FIRST.

 C.R. PLASTIC
PRODUCTS

we create sustainable outdoor living

C05

