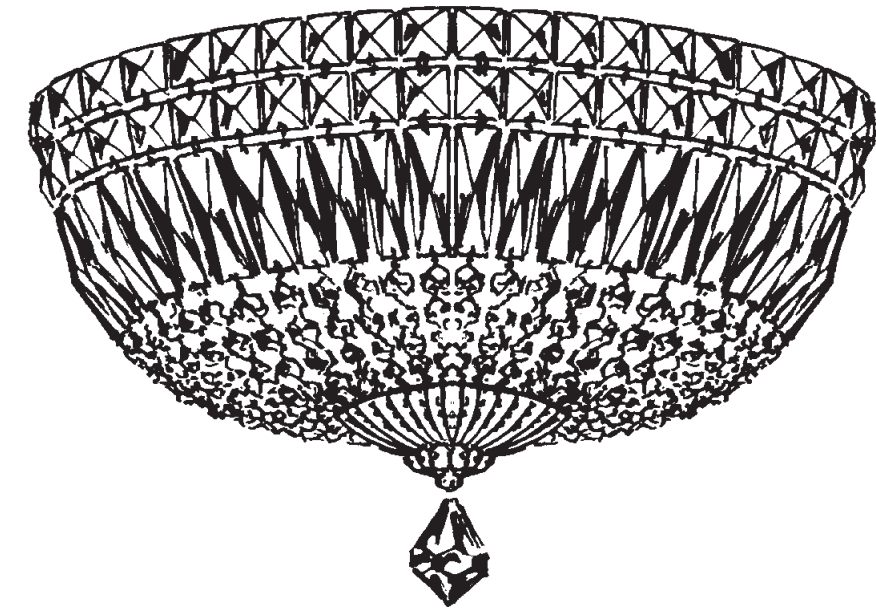


PETIT CRYSTAL DELUXE 5893- __ __M



5 Lights
Diameter: 14"
Body Length: 8"
Hanging Weight: 7 lbs.

THIS DESIGN IS THE PROPRIETARY
TRADE DRESS/TRADEMARK OF
SWAROVSKI LIGHTING, LTD.



SCHONBEK®

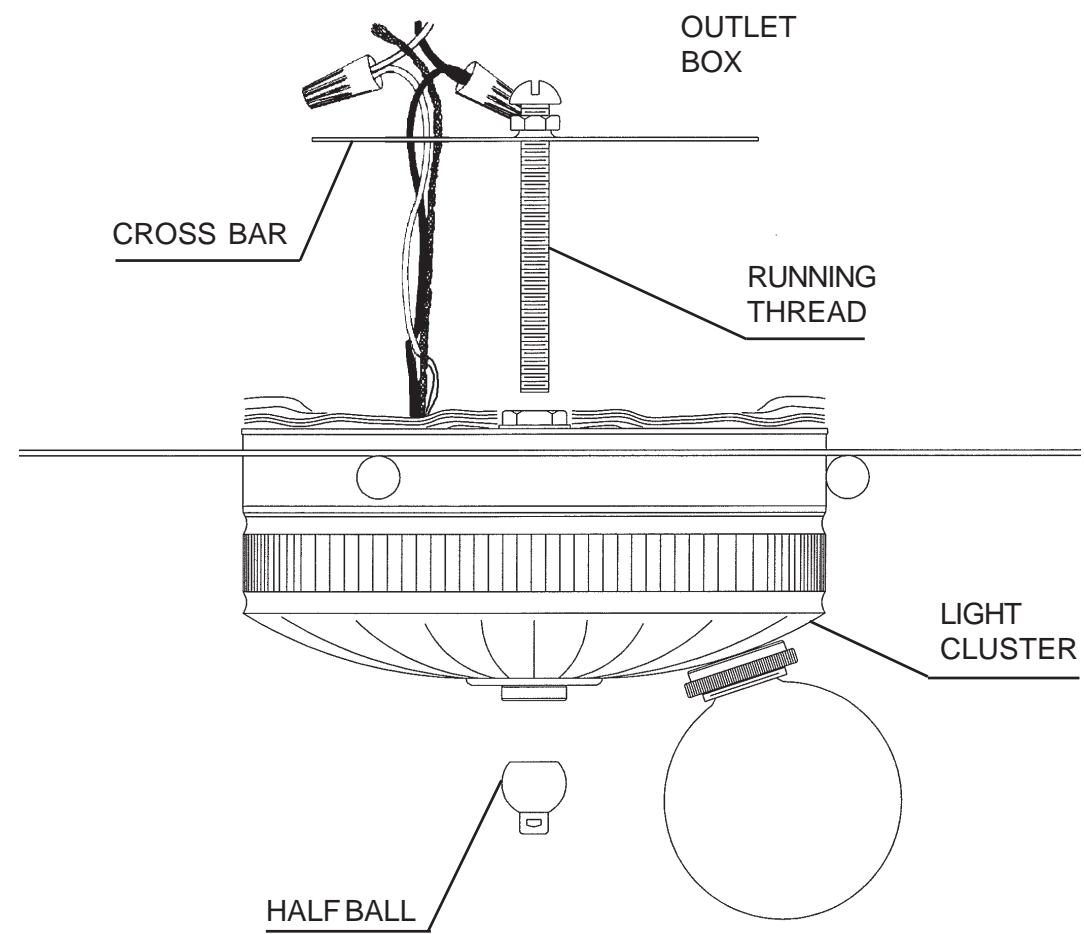


SCHONBEK®

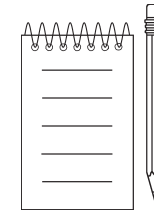
MAX 40 W		110-120 V						

SCHONBEK® is a member of the Swarovski group.

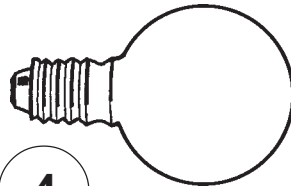
All electrical components must be installed by a licensed electrician in accordance with the National Electric Code and the appropriate local electrical codes.



- 1** Remove crossbar from light cluster and attach to outlet box.
- 2** Feed stem wires through crossbar and attach to power wires in outlet box.
- 3** Place light cluster over thread attached to crossbar and secure with half ball.







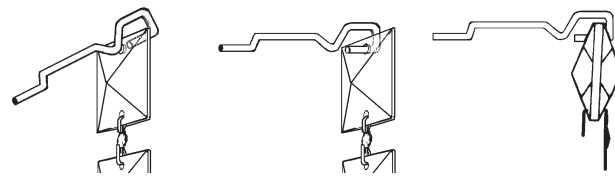
4

You will need 5 - G16-1/2
25 Watts Recommended
40 Watts Max
MIN 90°C SUPPLY
CONDUCTORS

Install bulbs and be sure
to test fixture **BEFORE**
trimming.



CRYSTAL CHAIN ASSEMBLY



NOTE: There will be a slight resistance
when putting the pin through the top crystal.
Do NOT bend pin or try to scrape out
crystal hole. The resistance holds the
crystal chain on the pin.

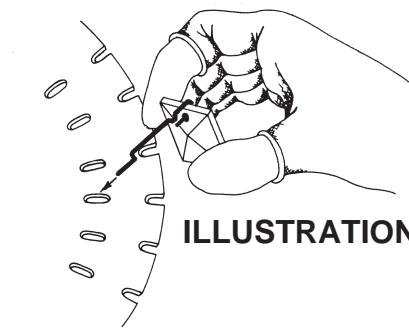
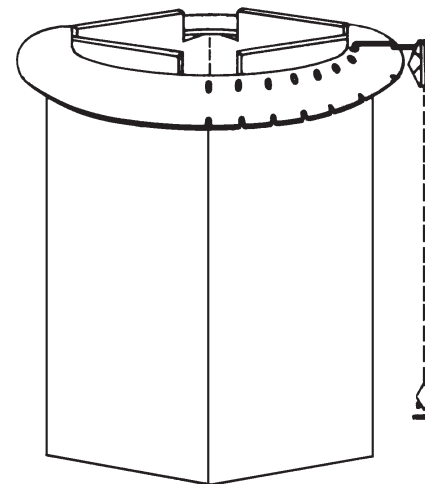


ILLUSTRATION 1

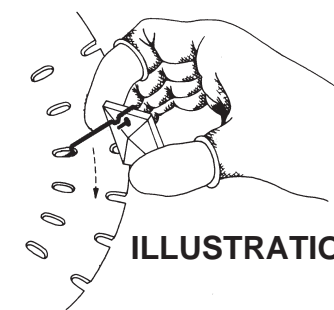


ILLUSTRATION 2

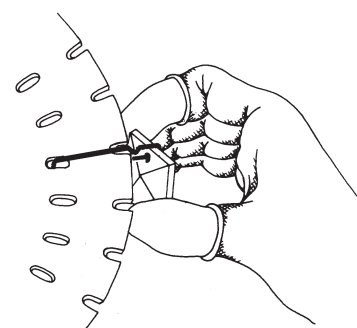


ILLUSTRATION 3

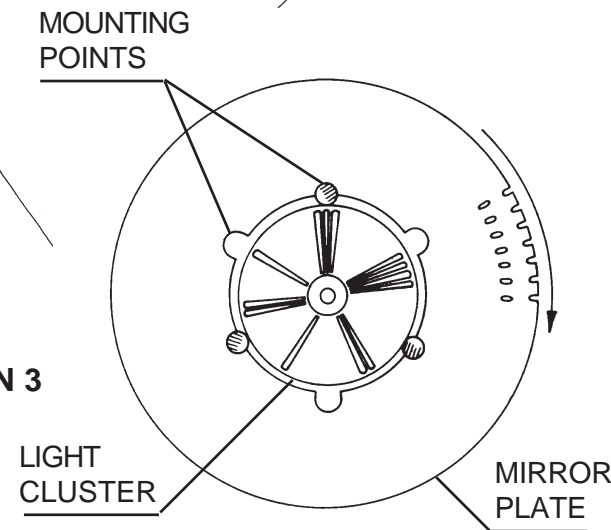


ILLUSTRATION 4

5 Assemble all crystal chains and pins provided. See "Crystal
Chain Assembly" above. Set mirror plate on cardboard stand. Hook
all Crystal Chains "E" into slots in the mirror plate so the metal
accessories face outwards and the square jewel is on the upper
end. See illustrations #1 - #3. NOTE: Allow ends with small jewels to
hang loose.

6 Align holes in mirror plate with the balls on the frame, raise
mirror plate over balls, then turn mirror clockwise until holes are
halfway between balls. See illustration #4.

