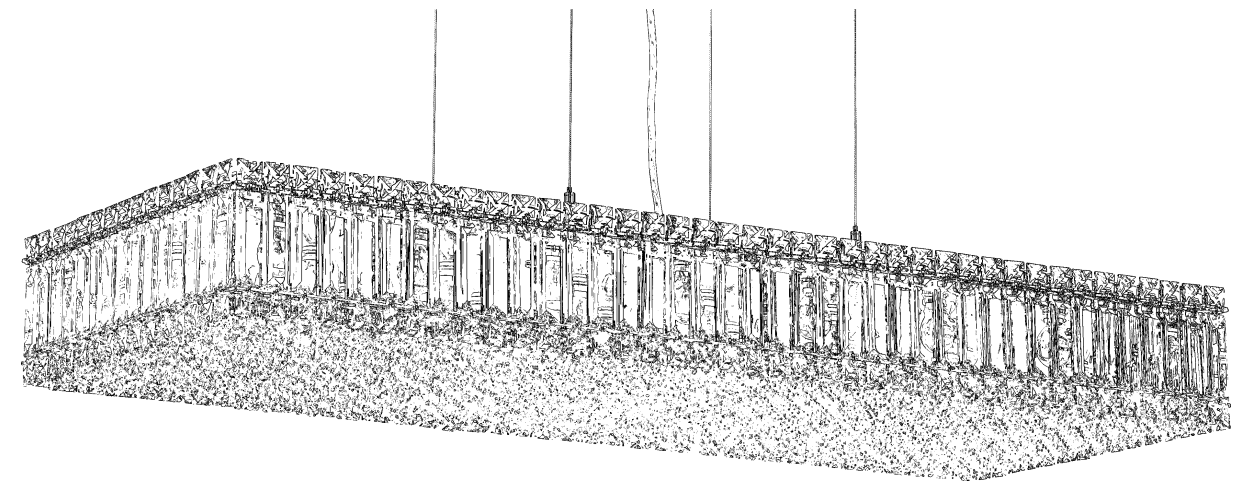


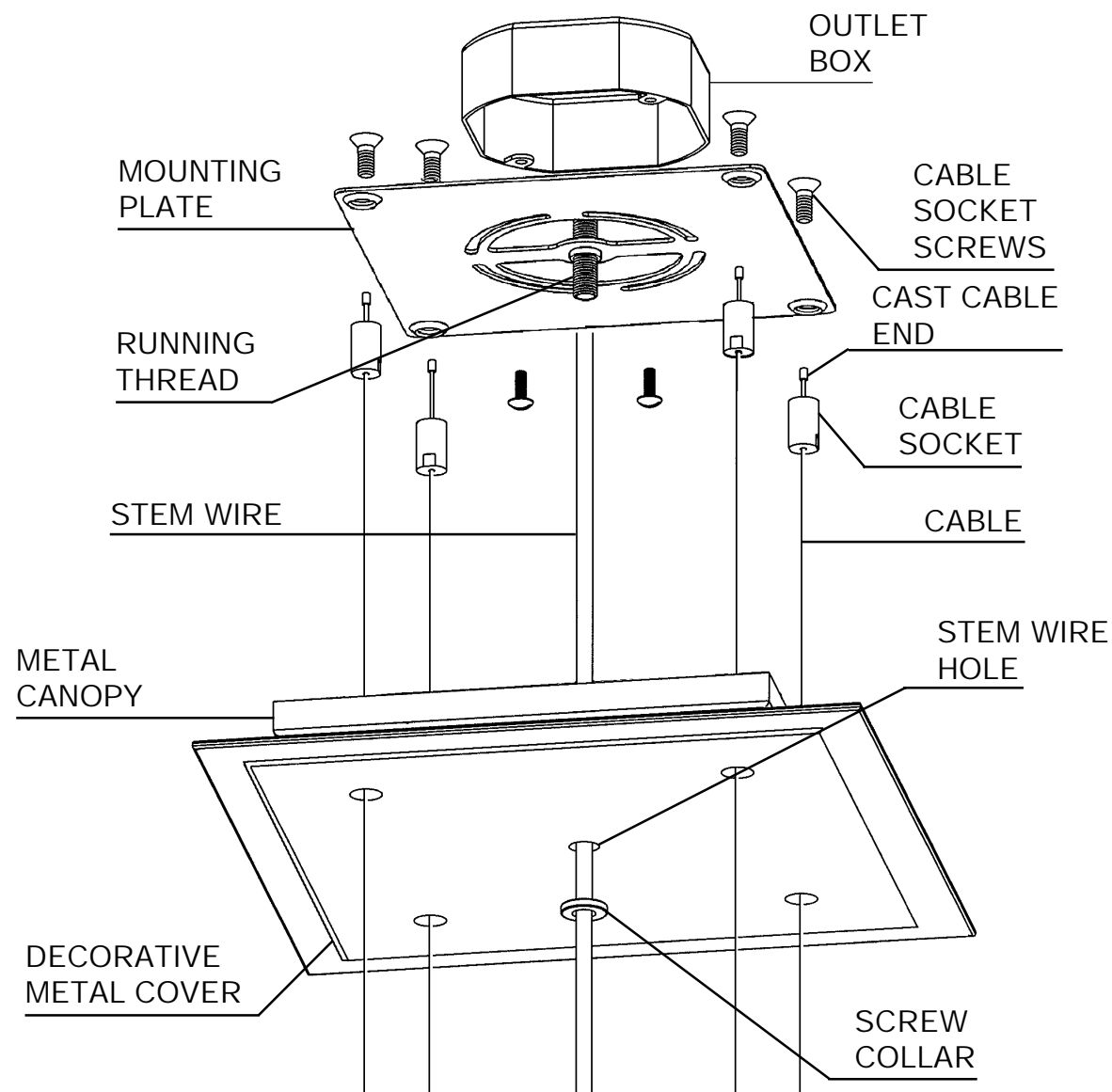
QUANTUM 2274A TRIM DIAGRAM

THIS DESIGN IS THE PROPRIETARY TRADE DRESS/TRADE MARK OF SCHONBEK WORLDWIDE LIGHTING INC.



23 Lights
 Length: 39"
 Width: 15"
 Height: 5"
 Hanging Weight: 41 lbs.

Instructions for electrician STEP 2



2 Remove the screw collar, decorative metal cover and metal canopy from the canopy assembly. Remove cable socket screws from top of mounting plate so that you can feed suspension cables through the cable sockets from the top. The cast cable ends are seated in the inside of the cable socket. Assemble cable sockets with cables installed onto the bottom of the mounting plate with the cable socket screws securely. Attach mounting plate to the outlet box with cables hanging down. Feed suspension cables through the four holes on the metal canopy and decorative metal cover. The metal canopy must be on top of the decorative metal cover. Feed cable into cable glider on chandelier frame and hang at desired height. Slide cables into gliders and allow them to play out of the side of the cable gliders. To adjust height, depress the cable grippers until the cable is released to move the frame up and down the cable. Feed stem wire through screw collar, stem wire hole in decorative metal cover and metal canopy. When chandelier is at desired height, trim stem wire and connect ground wire (marked with green tracer) and power wires (black or white tracers) in outlet box. Raise metal canopy and decorative metal cover to ceiling and secure to running thread with the screw collar. Cut suspension cables with cable cutters leaving about 1/2" protruding from the side of the cable gliders.

SCHONBEK®

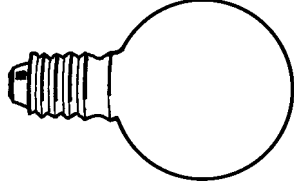
See diagram on back page
 Follow steps in exact order
 Save this trim diagram for future reference

1 IMPORTANT
 Person who opens carton should record the following information for future service.
 CODE # _____ Four-digit number on outside of carton.
 PACKER # _____ See crystal package label.
 ORDER # _____ See crystal package label.

SCHONBEK IS A WORLD LEADER IN CHANDELIER DESIGN. PATENTS INCLUDE:
 #5,144,541, #5,222,805 & #5,460,269

Instructions for crystal trimming

STEPS 3 - 5

3 

You will need 23 - G11
40 Watts Max
25 Watts recommended
(Supplied - Schonbek #: 30205)

Install bulbs and be sure to test
fixture BEFORE trimming.

4 Install three bottom crystal grids with seven thumb nuts on each end grid and eight thumb nuts on center grid (already screwed onto grids) to bottom of the chandelier.

5 Hold chain "A" by the top square crystal. (NOTE: Flat side of large crystals face out and chains are also symmetrical so either end will work!) Insert bottom square crystal into the pocket of bottom crystal grid. Then position the top connector (between the top two crystals) into the top plate pocket opening directly above the bottom crystal grid pocket. (Diagram #1) Lower the chain until the top square stone seats itself into the top plate pocket. When the chain is installed correctly, it will be held in place by both top and bottom pockets.

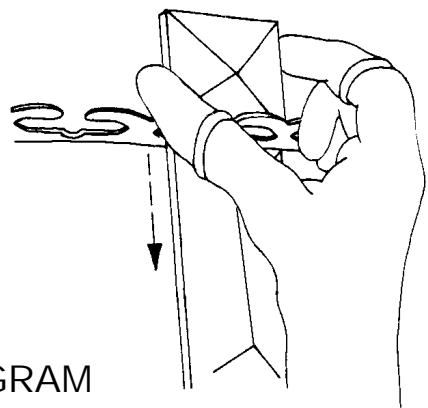


DIAGRAM #1

