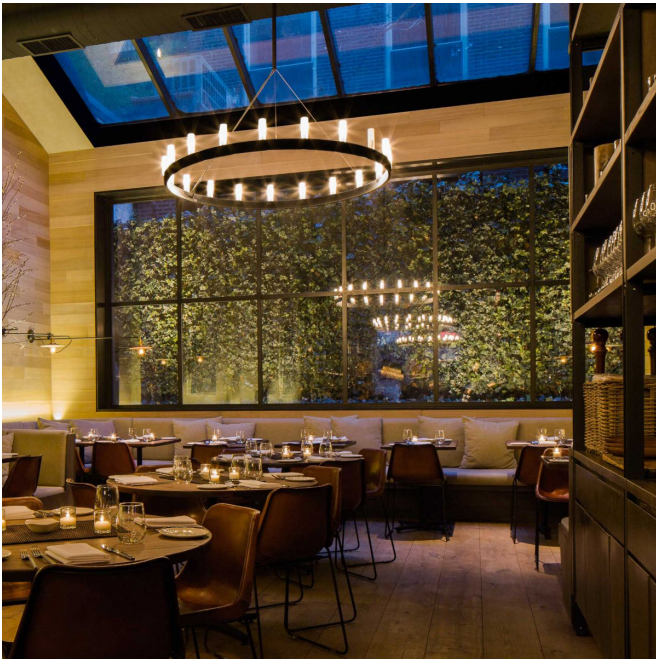


CHANDELIER

David Chipperfield, 2004

This spectacular lamp designed by David Chipperfield is inspired by those at the court of King Arthur. Available in two colors, in a single or double version with two concentric circles, it is a classy elegant lighting solution for any setting, even the most modern and minimal.



RELATED PRODUCTS

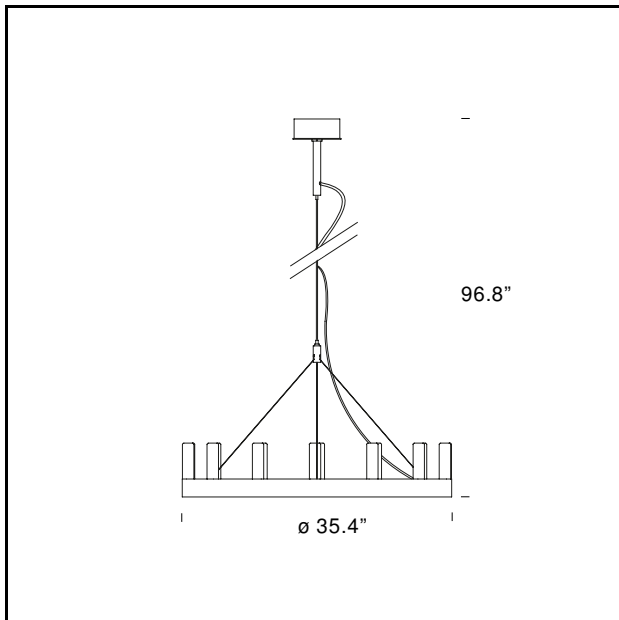


CHANDELIER DOUBLE

Suspension Lamp

TECHNICAL SHEET

Suspension lamp. Metal frame with black aluminium (RAL 9005 matt) or gold finish. Stainless steel suspension cables. Sandblasted borosilicate glass diffusers.



MODEL NAME: Chandelier

CODE: UL5491..

DIMENSION: \varnothing 35.4" \times 196.8" h

MATERIALS: Glass, metal

COLORS

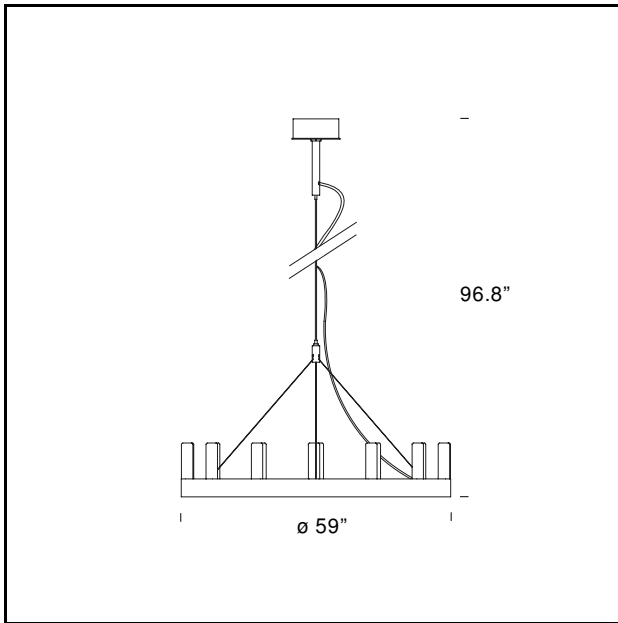
● Black - RAL Code: RAL 9005 Matt

● Gold

LIGHTING SOURCE: 14 \times 50W (HA) T4 MiniCan E11 H

CERTIFICATIONS AND SYMBOLS:





MODEL NAME: Chandelier

CODE: UL5491/1..

DIMENSION: ø 59.0" × 196.8" h

MATERIALS: Glass, metal

COLORS

● Black - RAL Code: RAL 9005 Matt

● Gold

LIGHTING SOURCE: 19×50W (HA) T4 MiniCan E11

CERTIFICATIONS AND SYMBOLS:



Subject to technical modifications and modifications to content