

AMAX

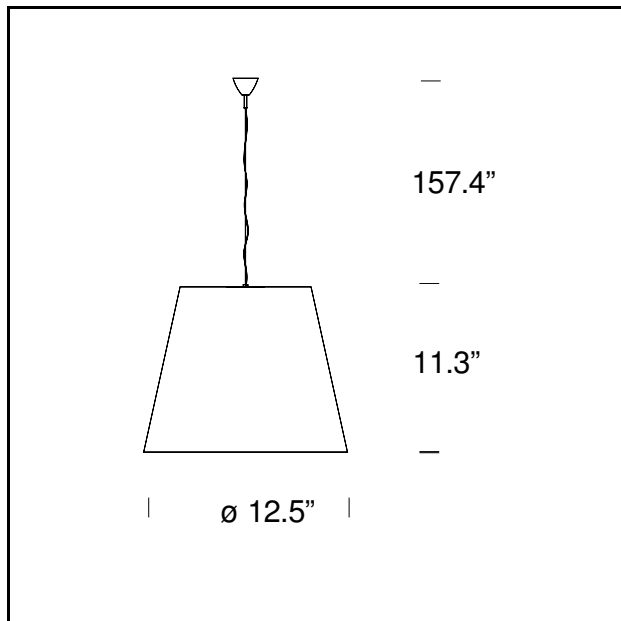
2003

Extra-large interpretation of the classic FontanaArte lampshade, Amax is a family of suspension and floor lamps, available in both indoor and outdoor versions. For the larger sizes, the hanging lamp has a lower disc that covers and hides the light sources from view.



TECHNICAL SHEET

Suspension lamp. Chromed metal frame. Polyethylene diffuser with white interior; exterior available in white or black (RAL 9005 matt). Steel suspension cable. Black power cord.. Available on request with metallic grey or gold diffuser.



MODEL NAME: Amax

CODE: UL5444/000..

DIMENSION: \varnothing 12.5" \times 11.3" + 157.4"

MATERIALS: Polyethylene

COLORS

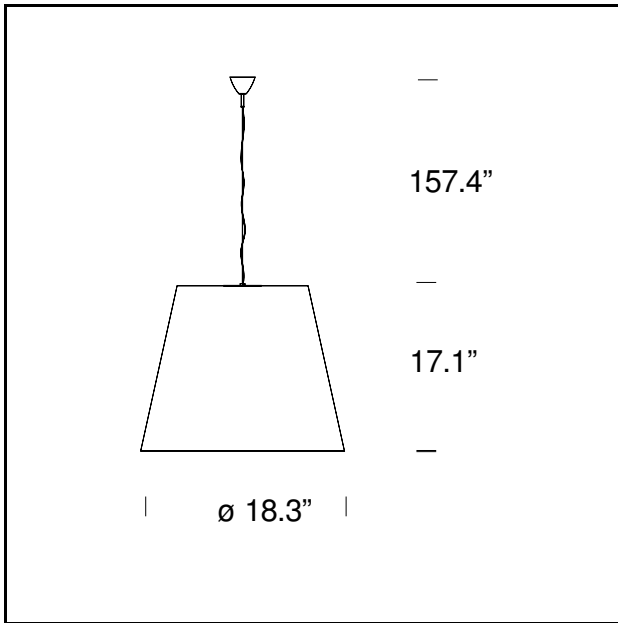
● Black - RAL Code: RAL 9005 Matt

○ White

LIGHTING SOURCE: 1 \times 100W (HA) T10 Medium E26/27

POWER CORD: Black

CERTIFICATIONS AND SYMBOLS:



MODEL NAME: Amax

CODE: UL5444/00..

DIMENSION: \varnothing 18.3" \times 17.1" + 157.4"

MATERIALS: Polyethylene

COLORS

● Black - RAL Code: RAL 9005 Matt

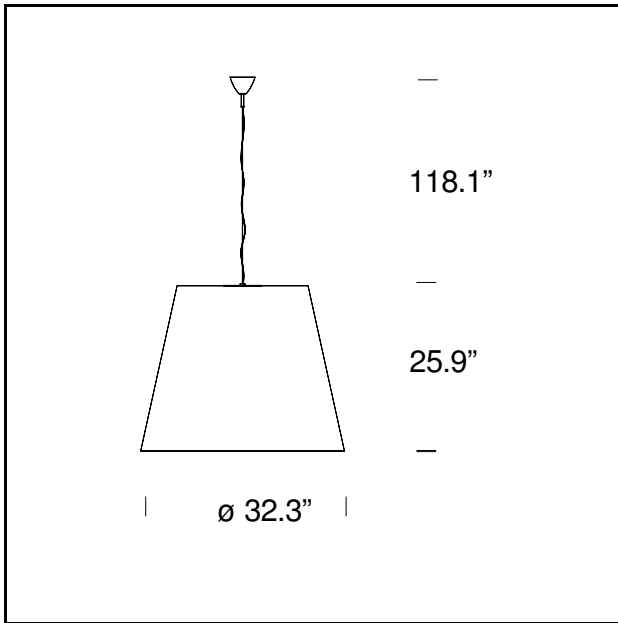
○ White

LIGHTING SOURCE: 1 \times 150W (HA) T10 Medium E26/27

POWER CORD: Black

CERTIFICATIONS AND SYMBOLS:





MODEL NAME: Amax

CODE: UL5444/0..

DIMENSION: \varnothing 32.3" \times 25.9" + 118.1"

MATERIALS: Polyethylene

COLORS

● Black - RAL Code: RAL 9005 Matt

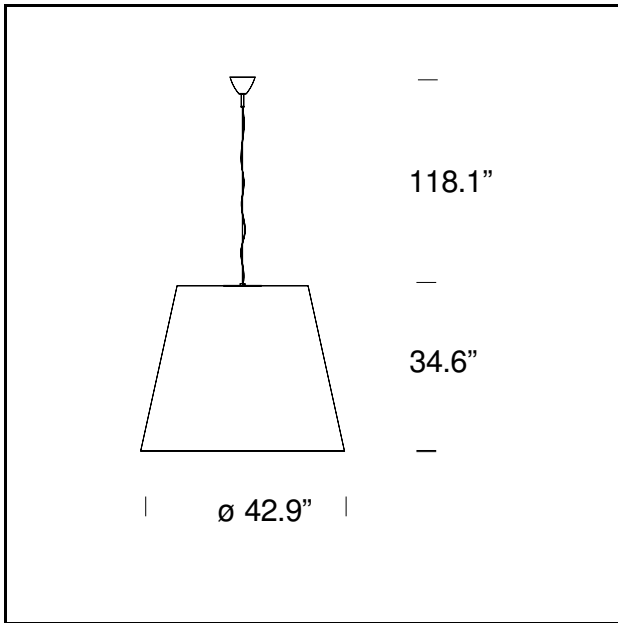
○ White

LIGHTING SOURCE: 3 \times 60W (HA) T10 Medium E26/27

POWER CORD: Black

CERTIFICATIONS AND SYMBOLS:





MODEL NAME: Amax

CODE: UL5444..

DIMENSION: \varnothing 42.9" \times 34.6" + 118.1"

MATERIALS: Polyethylene

COLORS

● Black - RAL Code: RAL 9005 Matt

○ White

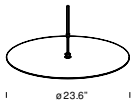
LIGHTING SOURCE: 3 \times 150W (HA) T10 Medium E26/27

POWER CORD: Black

CERTIFICATIONS AND SYMBOLS:

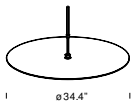


ACCESSORIES



CLOSING DISK CODE - 5562/00

Optional methacrylate cover with telescopic stem and securing plug for Amax Ø 82 cm.



CLOSING DISK CODE - 5562

Optional methacrylate cover with telescopic stem and securing plug for Amax Ø 109 cm.

Subject to technical modifications and modifications to content