

CHESHIRE

GamFratesi, 2013

It echoes the studio's Nordic imprint in its simplicity and functional aspects. The opaline polycarbonate diffuser ensures soft lighting, while the colored one spreads the light downwards in the table and floor versions or upwards in the hanging model.



RELATED PRODUCTS



CHESHIRE

Table Lamp

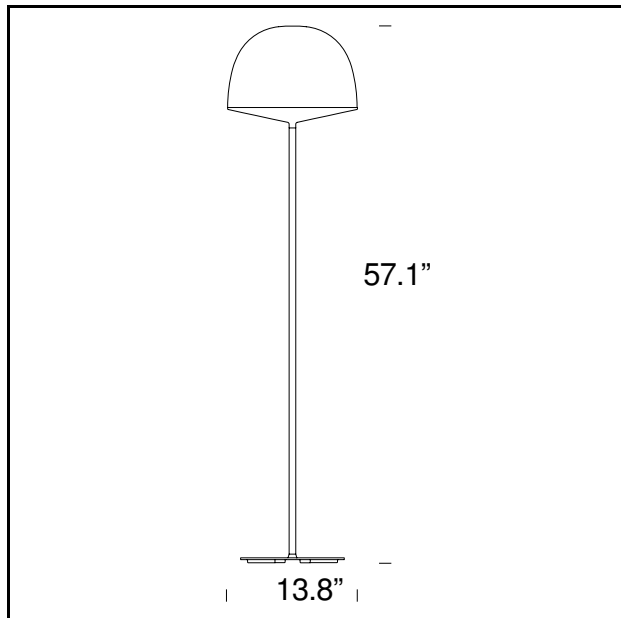


CHESHIRE

Suspension Lamp

TECHNICAL SHEET

Floor lamp. Shade in polycarbonate, available white, black and green (with stem and base in the same colour) or opaline (with black stem and base). Transparent feeding cable.



MODEL NAME: Cheshire

CODE: UL4252..

DIMENSION: \varnothing 13.8" \times 57.1"

MATERIALS: Polycarbonate, Metal

COLORS

- Black - RAL Code: RAL 7021 Matt
- Green - RAL Code: RAL 6013 Matt
- White - RAL Code: RAL 9010

LIGHTING SOURCE: 1 \times 30W (FL/LED) E26 120V

PLUG: Transparent

POWER CORD: Transparent

CERTIFICATIONS AND SYMBOLS:

Subject to technical modifications and modifications to content