

# DARUMA

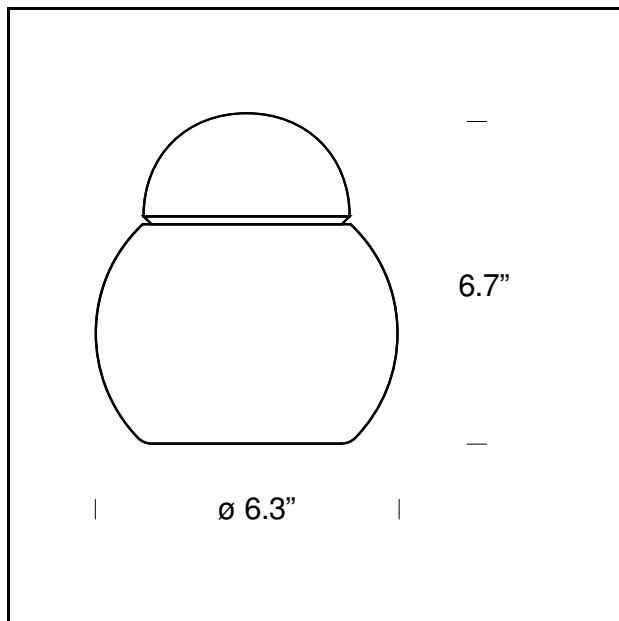
Sergio Asti, 1968

On show at the Museum of Modern Art in New York, Daruma was produced in 1968 to a design by Sergio Asti. Comprising two diffuser elements in glossy white blown glass, this table lamp has simple, formal features: a spherical vase topped by a little lid.



**TECHNICAL SHEET**

Table lamp. Diffuser and flute in polished white blown glass. Black power cable, plug and switch.



**MODEL NAME:** Daruma

**CODE:** U5028

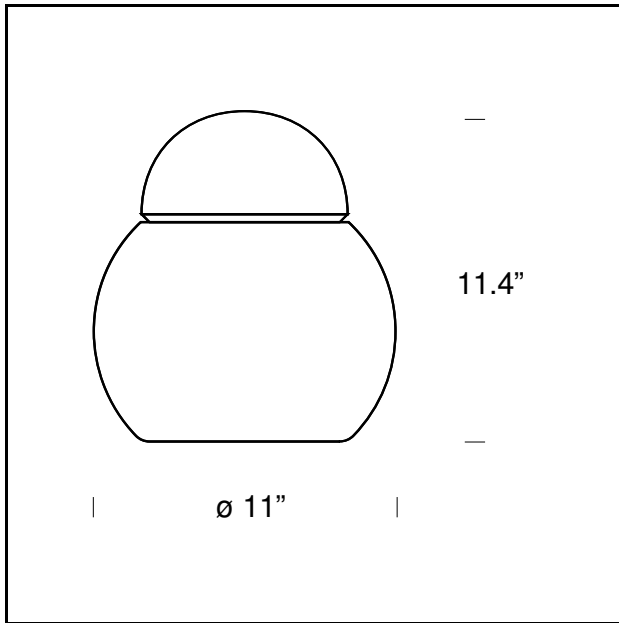
**DIMENSION:** ø 6.3" × 6.7"

**MATERIALS:** Glass

**LIGHTING SOURCE:** 1×25W (IN/FL/LED) B10/E26

**PLUG:** Black

**POWER CORD:** Black



**MODEL NAME:** Daruma

**CODE:** U5028/3

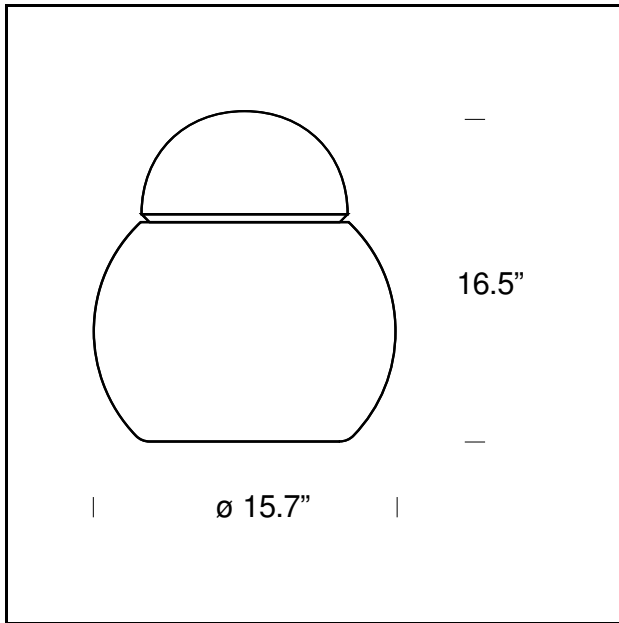
**DIMENSION:** ø 11" × 11.4"

**MATERIALS:** Glass

**LIGHTING SOURCE:** 1X60W E26

**PLUG:** Black

**POWER CORD:** Black



**MODEL NAME:** Daruma

**CODE:** U5028/5

**DIMENSION:**  $\varnothing 15.7'' \times 16.5''$

**MATERIALS:** Glass

**LIGHTING SOURCE:** 1X100W E26

**PLUG:** Black

**POWER CORD:** Black

Subject to technical modifications and modifications to content