

# NOBI

Metis Lighting, 1992

In floor, wall and suspension versions, Nobi guarantees total practicality for innovative elegant design. The two bowl-shaped glass discs are held in position by a system of tiny springs and fastened to the metal frame by two pins. In this way the diffuser rotates on itself, directing its halogen beam as required.



RELATED PRODUCTS



**NOBI**

*Wall Lamp*

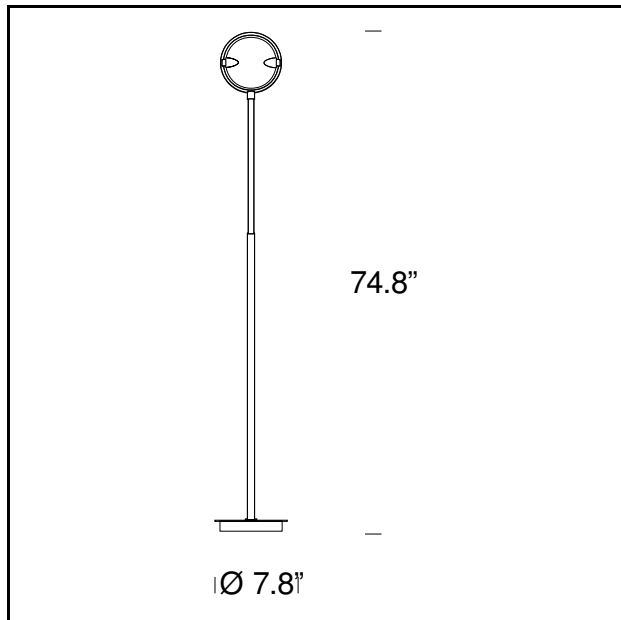


**NOBI**

*Suspension Lamp*

**TECHNICAL SHEET**

Floor lamp with dimmer. Metal frame in chromed, satined nickel-plated or white finishes. Adjustable diffusers in frosted glass and aluminium reflector for indirect beam. Black power cable, dimmer and plug.



**MODEL NAME:** Nobi

**CODE:** U3026..

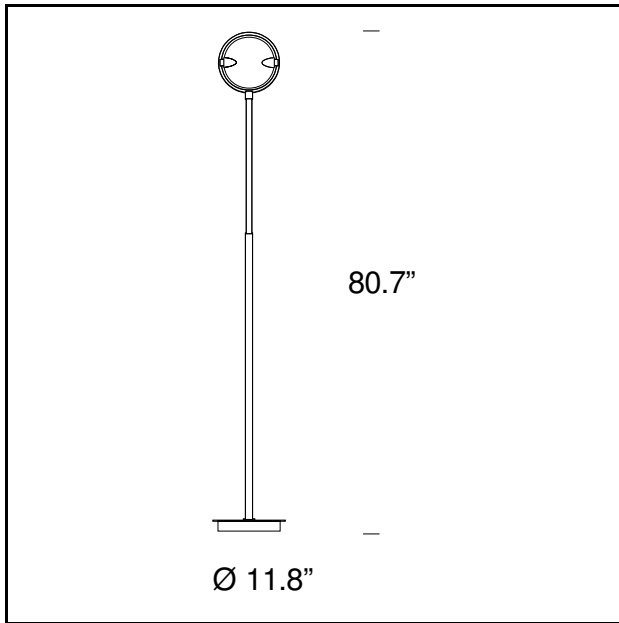
**DIMENSION:** ø 7.8" × 74.8"

**MATERIALS:** Glass, metal

**COLORS**

- Chrome-Plated
- Nickel-Plated - RAL Code: RAL 9006 Matt
- White

**LIGHTING SOURCE:** 1×150W (HA) T3/S Double Ended R7s - short H



**MODEL NAME:** Nobi

**CODE:** U3392..

**DIMENSION:** ø 11.8" × 80.7"

**MATERIALS:** Glass, metal

### COLORS

- Chrome-Plated
- Nickel-Plated - RAL Code: RAL 9006 Matt
- White

**LIGHTING SOURCE:** 1×300W (HA) T3/L Double Ended R7s - long H

Subject to technical modifications and modifications to content