

BILIA

Gio Ponti, 1932

A cone and a sphere: two essential, recognizable geometric shapes. An unpretentious composition, enriched by the extraordinary balance of its proportions and the stylish discretion of non-reflective materials: the diffuser is in frosted blown glass, the frame in brushed nickel-plated metal.



RELATED PRODUCTS

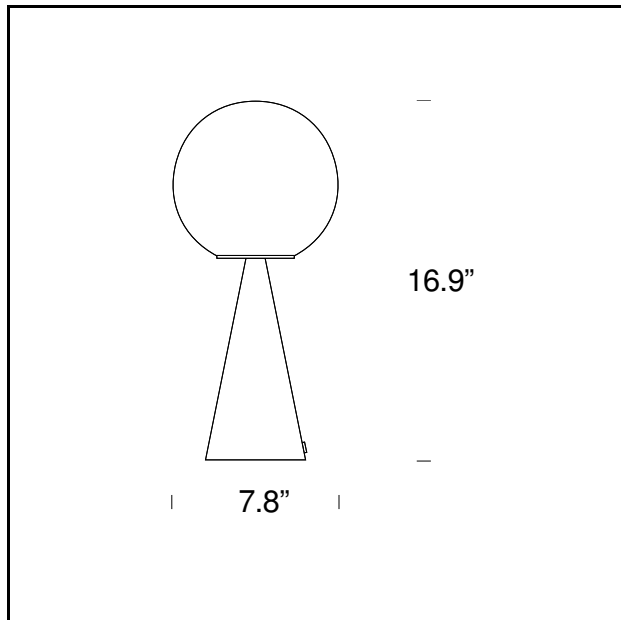


BILIA (LED)

Table Lamp

TECHNICAL SHEET

Table lamp with dimmer. Brushed nickel-plated metal frame. Diffuser in frosted white blown glass. Transparent power cable, dimmer and plug.



MODEL NAME: Bilia

CODE: U2474NS

DIMENSION: \varnothing 7.8" \times 16.9"

MATERIALS: Glass, metal

LIGHTING SOURCE: 1 \times 60W (IN/HA) B10

PLUG: Transparent

POWER CORD: Transparent

Subject to technical modifications and modifications to content