

NOBI (LED)

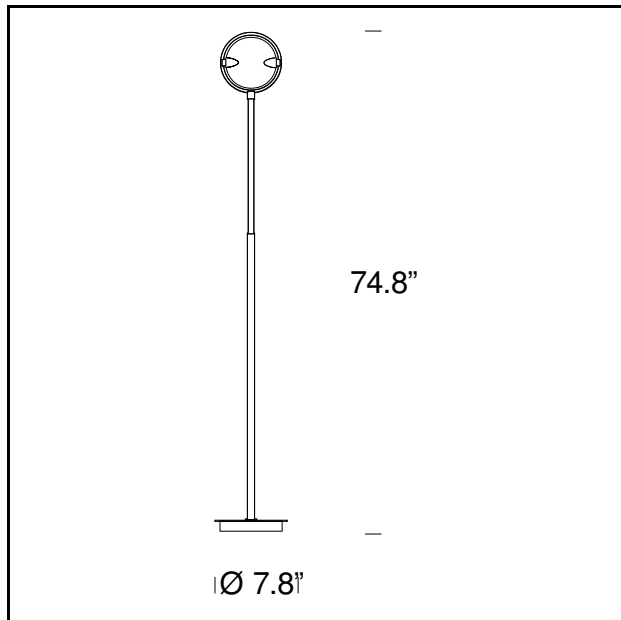
Metis Lighting, 1992

A circumference of chromed or satin metal with a circular diffuser, formed from a pair of cast, sandblasted and tempered glass lenses, two apparently simple elements that hide a complex system. The adjoined convex lenses are in fact held in place by a system of small clamps and fixed to the metal structure with two pins, the same on which the light source is also mounted. The diffuser can thus rotate on itself and orient the light flow in different directions. Innovative and available in multiple versions, Nobi provides maximum functionality while retaining a powerful aesthetic presence. Now available with LED light source, which adds energy efficiency and long life to the existing technical features.



TECHNICAL SHEET

Family of floor, suspension and wall lamps. Metal frame in chromed or satin nickel metal. Adjustable diffusers in frosted glass and aluminium reflector for indirect beam.



MODEL NAME: Nobli (Led)

CODE: 3026../LED

DIMENSION: $\varnothing 7.8'' \times 74.8''$

MATERIALS: Metal, glass

COLORS

● Nickel-Plated - RAL Code: RAL 9006 Matt

LIGHTING SOURCE: 14W LED (2700 K, CRI >80, 1400 Lm)

Subject to technical modifications and modifications to content