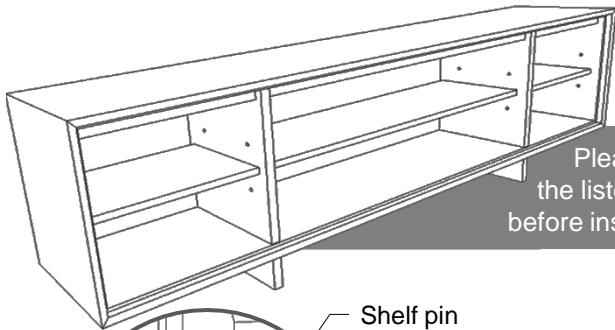


Assembly Instructions for Catalina Organizer



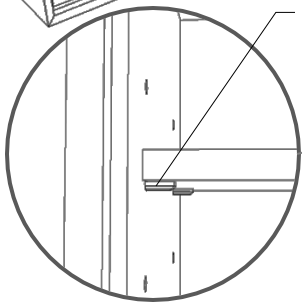
Please identify the listed items before installation.

Hardware included:

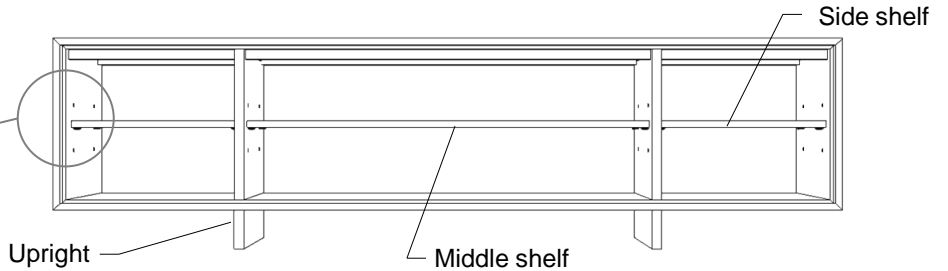
- Shelf support pins (12)
- Rubber bumper/felt strips

Components included:

- Middle shelf (1)
- Side shelves (2)



Shelf pin



Upright

Middle shelf

Side shelf

Tools required | None



Step 1: Attach the bumper/felt strips

Lay the hutch on its back. Remove the protective backing from the bumpers/felt strips and carefully adhere them to the bottom of the uprights (**Figure 1**).

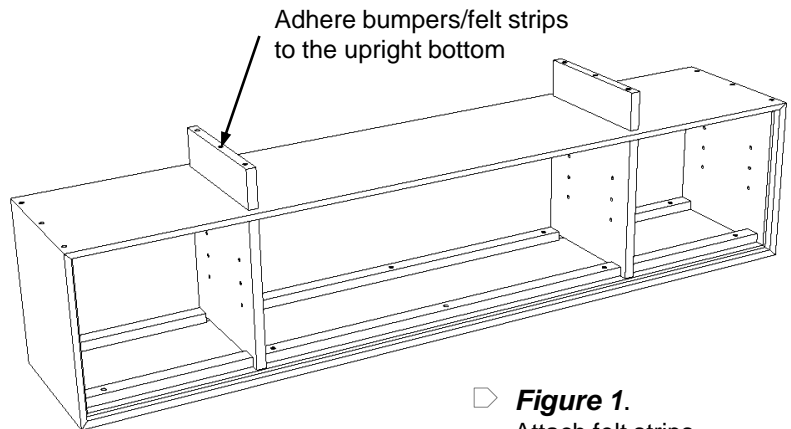


Figure 1.
Attach felt strips

Step 2: Insert shelf support pins

Turn the organizer over and place it on the buffet. Insert shelf support pins into the holes and carefully place the side shelves and middle shelf on them (**Figure 2**).

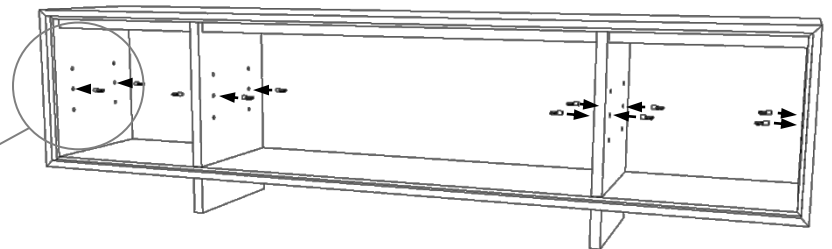
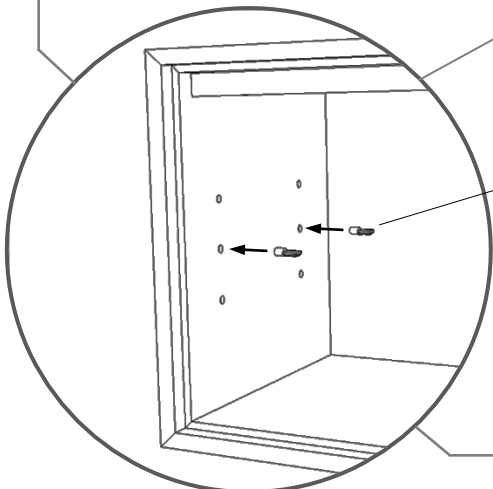


Figure 2.
Insert shelf support pins



Shelf support pin

Care Instructions

To care for and preserve the finish on your new Copeland Furniture piece, please keep the following recommendations in mind.

- While our furniture has been finished with a durable top coat, the surface may be sensitive to dents and abrasions during the first 30 days in your home.
- Treat the surface finish gently so it does not dent or chip. Tape or stickers should not be put on the finish.
- For general care use a soft cloth to dust the furniture.
- Use damp cloth with a mild soap to clean-up spills or dirt. Dry the surface thoroughly.
- Please do not use any polishes, waxes or solvents to clean the surface of the furniture. This holds true for new Copeland Furniture pieces as well as items you may already have in your home.
- Please do not place any candles directly on the surface of your furniture. The perfumes and dyes in the candles may penetrate the finish.
- Beds must be disassembled before moving to avoid damage. Never attempt to move the bed while it is assembled.

Special Care Instructions for Cherry Furniture

Furniture crafted from cherry wood darkens with age. This change in color, from a reddish tan to a reddish brown, results from the natural oxidation of the wood when it is exposed to light. Objects left on a piece of cherry furniture for an extended period will retard this oxidation process and when removed, may leave a lighter colored outline of the object on the surface. With continued exposure to light, this color difference will eventually disappear and the wood will reach a mature even tone.

