

Instructions for Mansfield Beds

Please identify the listed items before installation.

Hardware included:

- 1 ½" pan head screws (12)
- 1 ¾" pan head screws (3)
- Siderail hardware package (1)

Components included:

- Headboard (1)
- Footboard (1)
- Siderail kits (1)
- Platform assembly kit
- 6" and 8 ½" support blocks (1)

Siderail Configuration 1:

Siderail cleats towards the top (Figure 1a).

Siderail Configuration 2:

Siderail cleats towards the bottom (Figure 1b).

Tools required

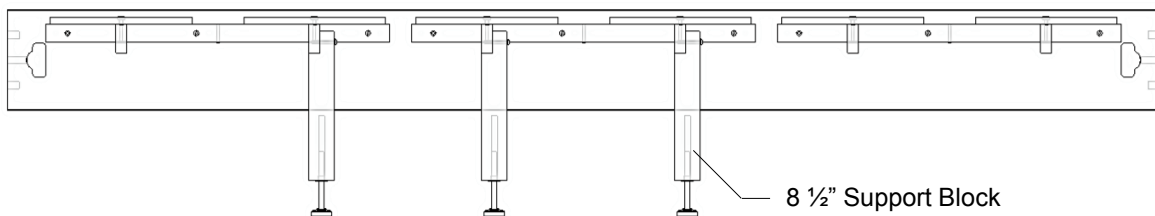
Included in the hardware kit

Notice: Beds must be disassembled before moving to avoid damage. Never attempt to move the bed while it is assembled. Failure to do so would void the warranty.

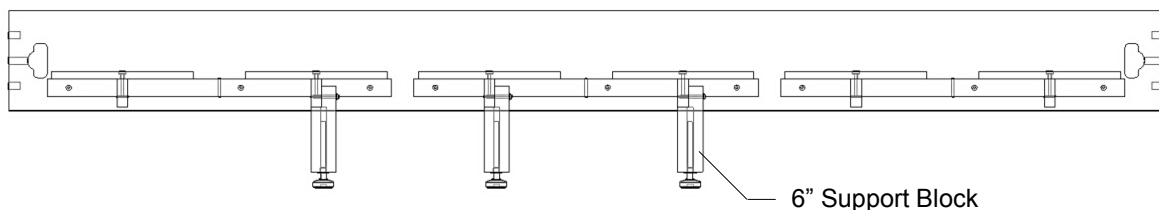


Step 1: Install Siderails

Layout the bed parts and position the side rails (**Figure 1a, 1b**). The siderails can be configured in two directions. The cleats on the inner side of each siderail can be configured either towards the top or the bottom. If you choose to have the cleats towards the bottom, please use the 6" support blocks instead of 8 ½" ones.



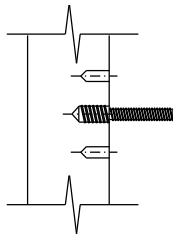
▷ **Figure 1a.** Cleats towards the top of the siderail with 8 ½" Support Block



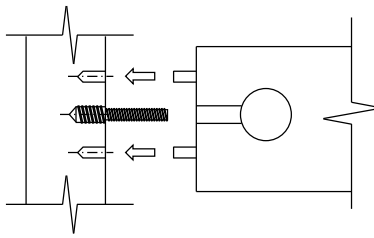
▷ **Figure 1b.** Cleats towards the bottom of the siderail with 6" Support Block



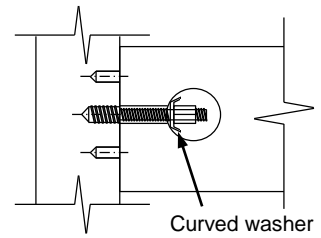
Step 2: Attach the siderails to the *headboard* and *footboard* (Figure 2).



Screw the threaded stud into the insert in the *headboard leg* until it stops.



Slide the rail into mating holes for dowels on the *headboard leg*.



Slide the curved washer and the nut in place as shown, and tighten the nut with the wrench provided in the *side rail hardware kit*.

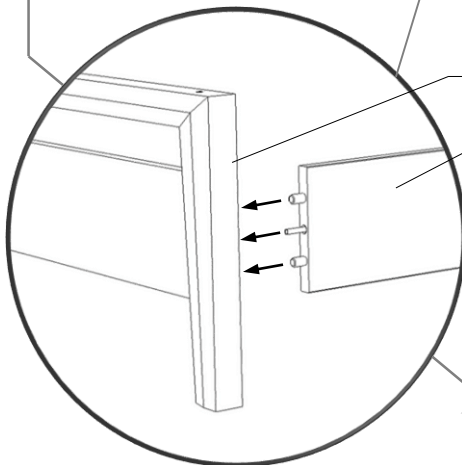
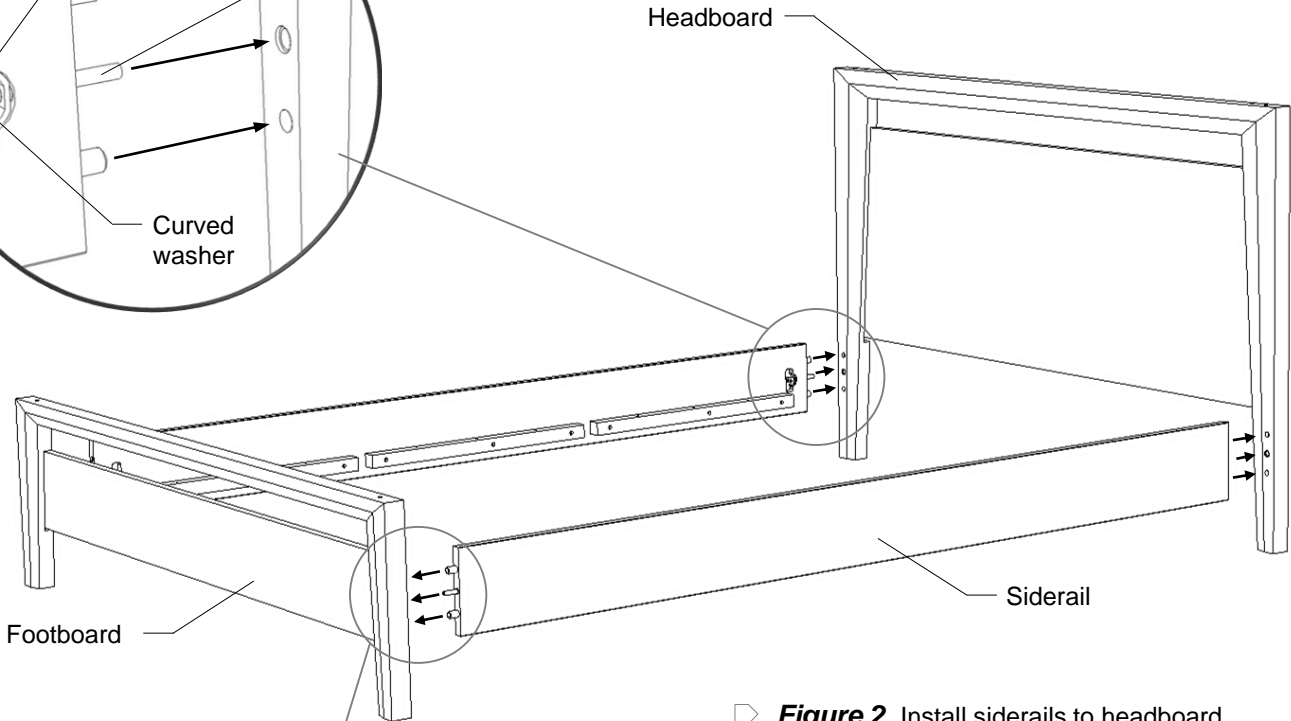
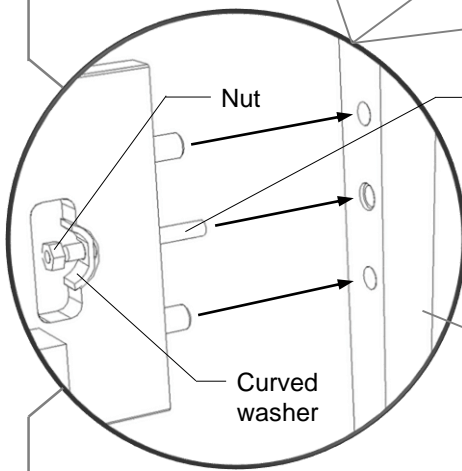
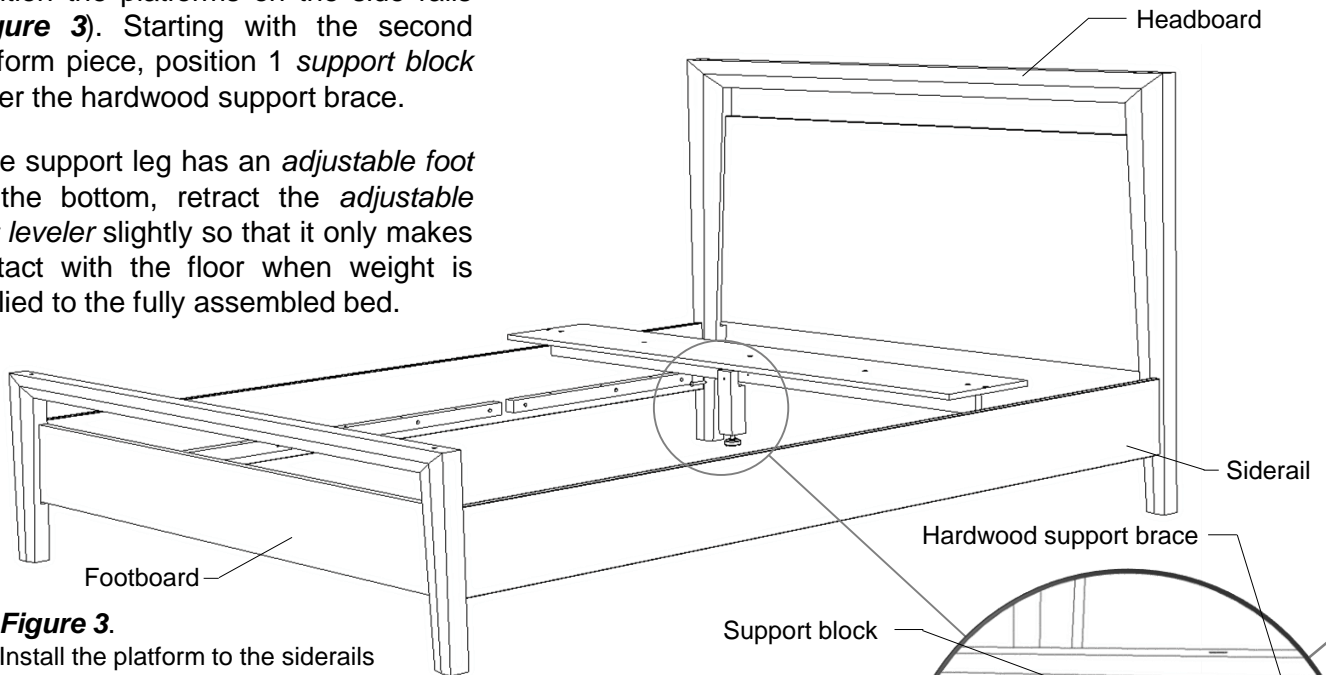


Figure 2. Install siderails to headboard and footboard

Step 3: Install the *platforms*

Position the platforms on the side rails (**Figure 3**). Starting with the second platform piece, position 1 *support block* under the hardwood support brace.

If the support leg has an *adjustable foot* on the bottom, retract the *adjustable foot leveler* slightly so that it only makes contact with the floor when weight is applied to the fully assembled bed.

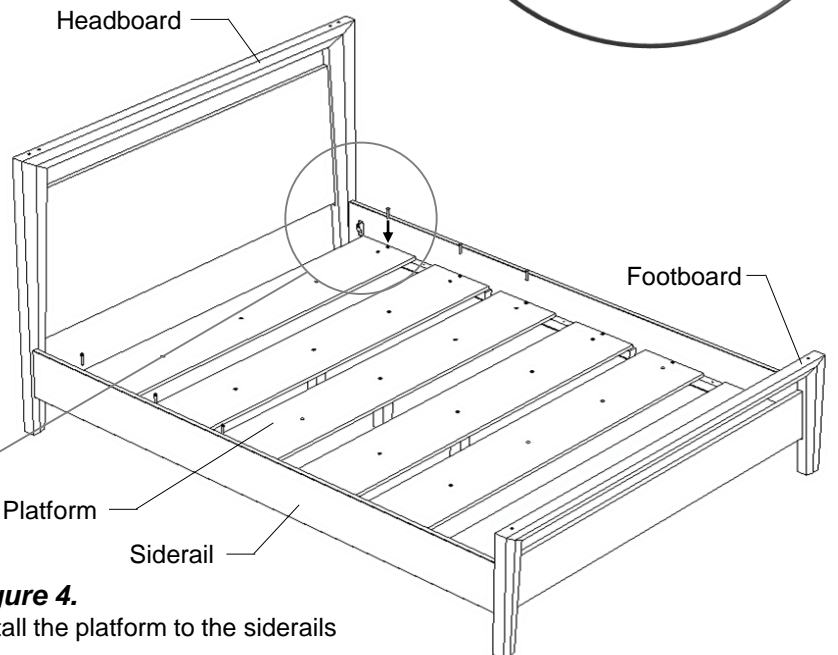


▷ **Figure 3.**
Install the platform to the siderails

▷ **Figure 3, detailed.**
Install the support block to the platforms

Step 4: Install the *platforms*

Adjust the remaining pieces to the same length. Using the 1 3/4" pan head screws, attach the *support block* to the center of each of the 3 middle platforms making sure the *support brace* is in full contact with the shoulder on the *support block* (**Figure 3, detailed view**). Use the 1 1/2" pan head screws to fasten the platforms to the cleats on the siderails (**Figure 4**).



▷ **Figure 4.**
Install the platform to the siderails

Care Instructions

To care for and preserve the finish on your new Copeland Furniture piece, please keep the following recommendations in mind.

- While our furniture has been finished with a durable top coat, the surface may be sensitive to dents and abrasions during the first 30 days in your home.
- Treat the surface finish gently so it does not dent or chip. Tape or stickers should not be put on the finish.
- For general care use a soft cloth to dust the furniture.
- Use damp cloth with a mild soap to clean-up spills or dirt. Dry the surface thoroughly.
- Please do not use any polishes, waxes or solvents to clean the surface of the furniture. This holds true for new Copeland Furniture pieces as well as items you may already have in your home.
- Please do not place any candles directly on the surface of your furniture. The perfumes and dyes in the candles may penetrate the finish.
- Beds must be disassembled before moving to avoid damage. Never attempt to move the bed while it is assembled.

Special Care Instructions for Cherry Furniture

Please read the following if you have purchased a Copeland product in cherry. Furniture that has been crafted from cherry wood becomes darker with age. The change in color, from a reddish tan to a reddish brown, is most noticeable during the first six months of ownership. It is important to understand that exposure to light accelerates the natural oxidization process. An object left on a cherry wood surface for an extended period of time may retard the aging process in a limited area. Simply remove the object and, over time, the surface will attain a uniform reddish brown color.

