



corridor 5620

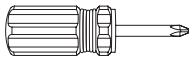
bar cabinet

assembly instructions



bdiusa.com customerservice@bdiusa.com

Component List



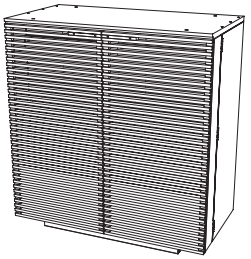
A - Phillips Screwdriver
x 1



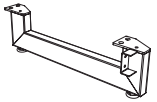
B - Hex Wrench
x 1



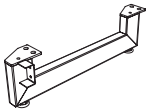
C - Leveler Wrench
x 1



D - Cabinet
x 1



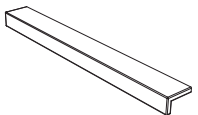
E - Metal Leg, Right
x 1



F - Metal Leg, Left
x 1



G - 1/4-20 x 15 mm Screw
x 12



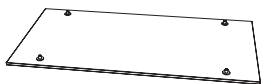
H - Door Pull
x 2



I - M4 x 25 mm Screw
x 4



J - Rubber Bumper
x 1



K - Glass Top
x 1



L - M6 Screw
x 4

Corridor is engineered for easy assembly. Carefully follow this procedure to prevent any damage.



Placement and Maintenance

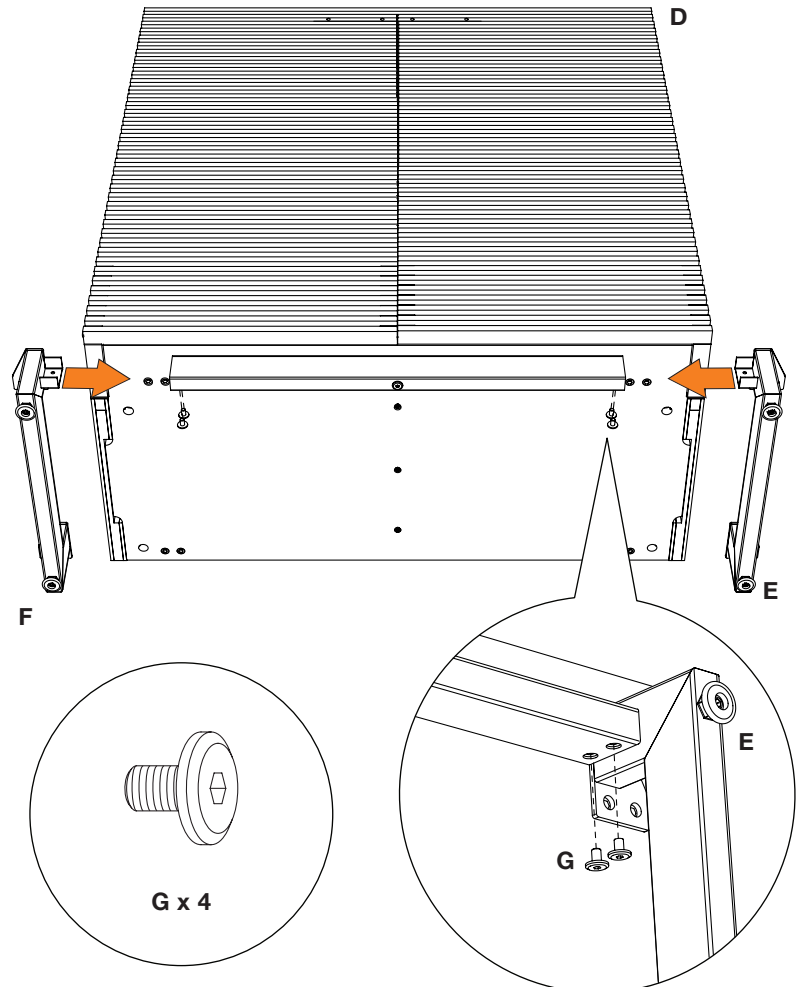
Corridor is designed for indoor use on level floors. Clean wood veneer with a moist cloth. Clean glass with glass cleaner.

Step 1 Unpack and Identify

Unpack and identify the components at left. Note that some components are shipped inside the cabinet. The assembly workspace should be a non-marring surface such as carpet. For missing hardware pieces, please contact BDI Customer Service at customerservice@bdiusa.com. For all other concerns, please contact your BDI Retailer.

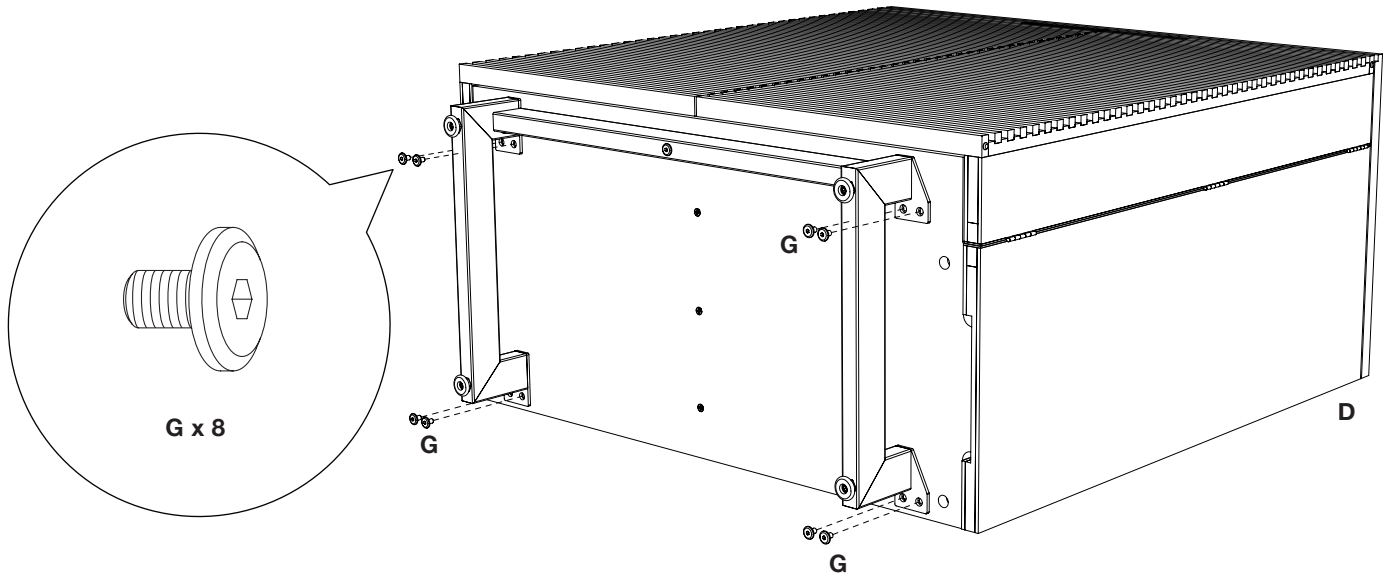
Step 2

With the **Cabinet (D)** on its back, slightly loosen screw attaching metal rail to **Cabinet (D)** using **Hex Wrench (B)**. Slide tab of **Metal Legs (E,F)** into metal rail and attach to cabinet by using **Screw (G)** and **Hex Wrench (B)** until fully tightened.



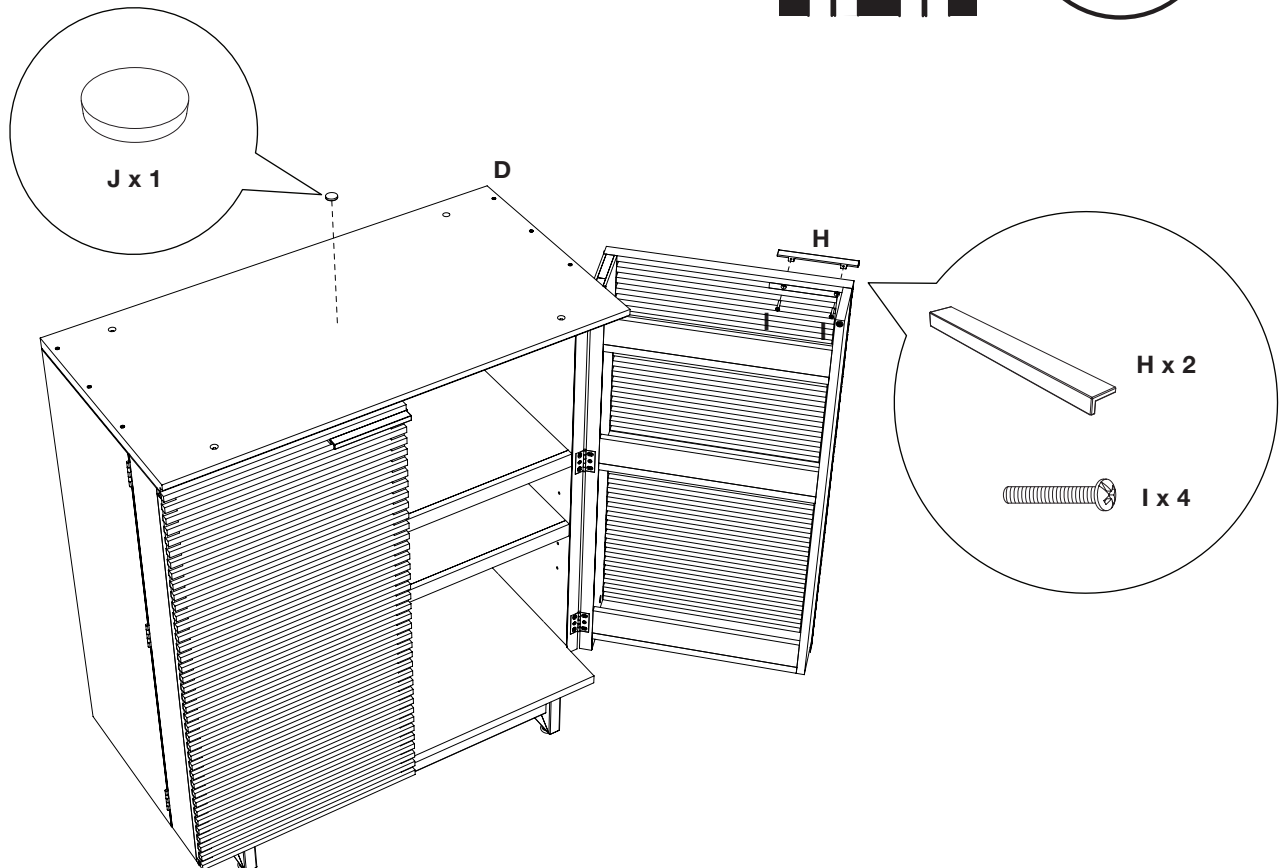
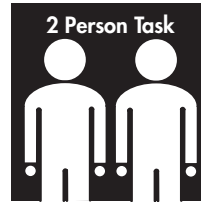
Step 3

Using **Screw (G)**, attach **Metal Legs (E,F)** to **Cabinet (D)** with **Hex Wrench (B)**. Do not overtighten.



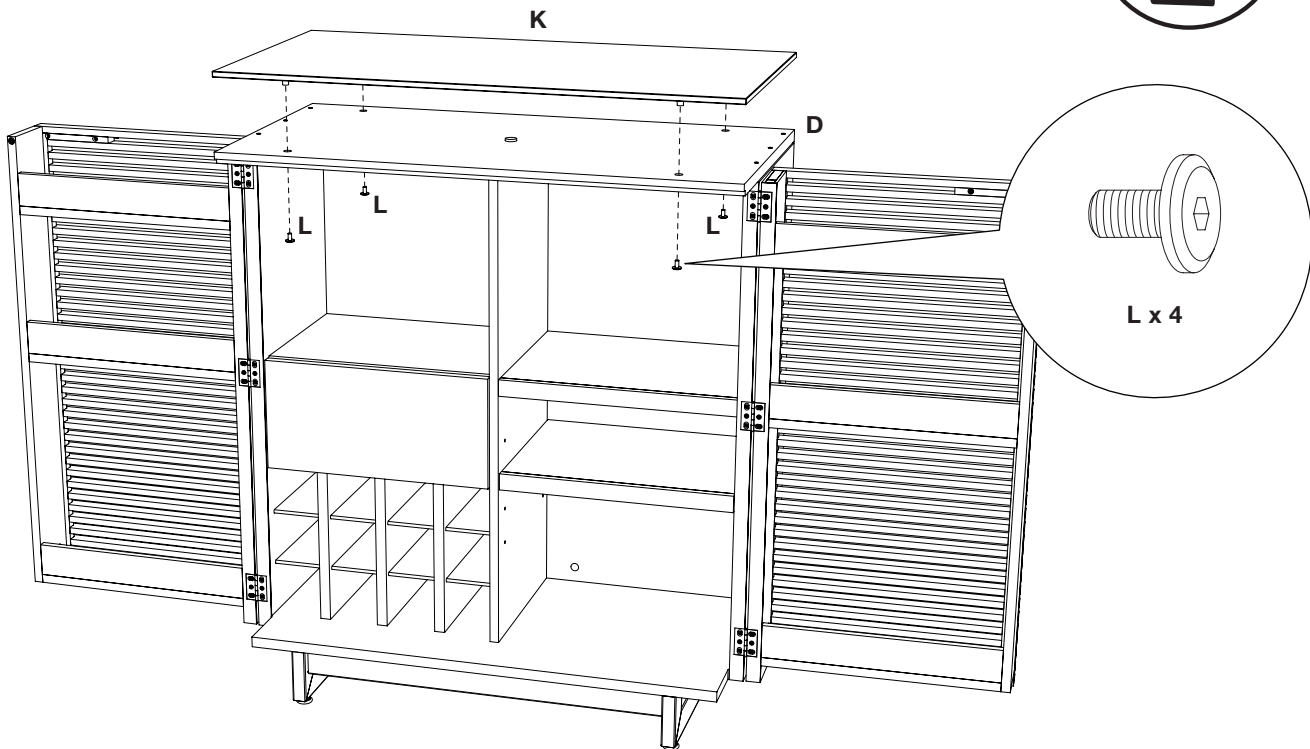
Step 4

With help from another person, carefully position Cabinet upright and install **Door Pulls (H)** using **Screw (I)** and **Phillips Screwdriver (A)**. Adhere **Rubber Bumper (J)** to center of the top of **Cabinet (D)**.



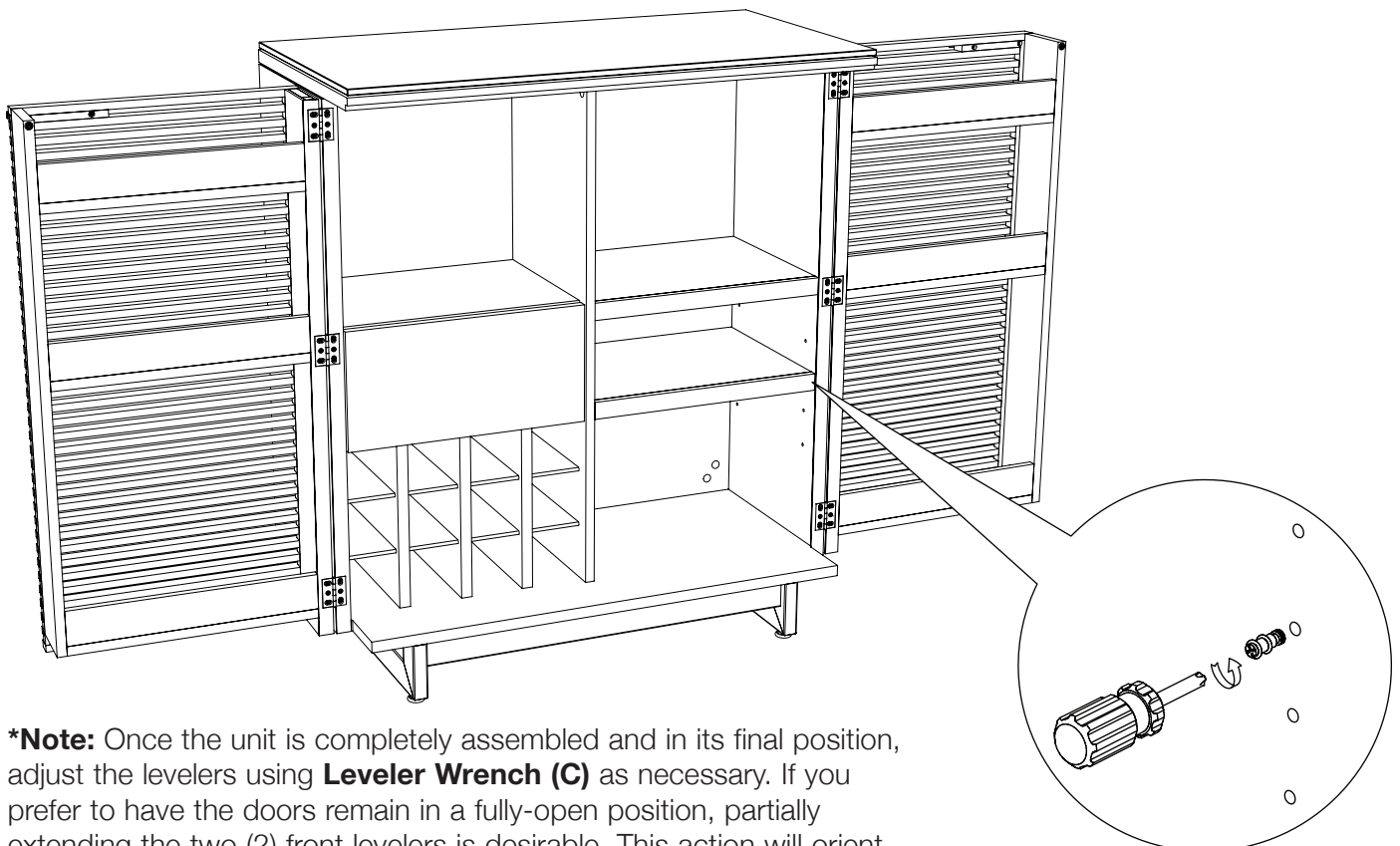
Step 5

Attach **Glass Top (K)** to **Cabinet (D)** using **Screw (L)** and **Hex Wrench (B)**. Do not overtighten.



Adjustable Shelf

The shelf pins located inside the right compartment may be repositioned using **Screwdriver (A)**, allowing you to raise or lower the **Adjustable Shelf** to the desired level.



***Note:** Once the unit is completely assembled and in its final position, adjust the levelers using **Leveler Wrench (C)** as necessary. If you prefer to have the doors remain in a fully-open position, partially extending the two (2) front levelers is desirable. This action will orient the cabinet back slightly, preventing the open doors from swinging towards their closed position.