

CORRIDOR® 6521 EXECUTIVE DESK

bdiusa.com
customerservice@bdiusa.com



Product Registration

Registering your new BDI product allows us to send you important product updates, service information and helpful hints related to your BDI products. Register today and you will be entered to win free a BINK table from BDI. www.bdiusa.com/product-registration/

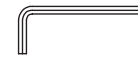
Placement and Maintenance

Corridor® Office furniture is designed for indoor use on level floors. Clean glass with glass cleaner, and steel parts and wood veneer with a moist cloth.

Your Corridor® Office furniture is engineered for easy assembly. Carefully follow this procedure to prevent any damage. Do not use power tools for assembly of this product.

Step 1

Unpack and identify the parts listed below. The assembly workspace should be a non-marring surface such as carpet. For missing hardware pieces, please contact BDI Customer Service at customerservice@bdiusa.com. For all other concerns, please contact your BDI retailer.



T1 4mm Hex Wrench



H1 1/4-20 x 12mm Screw x 3



H5 1/4-20 x 32mm Screw x 6



H7 Barrel Nut x 4



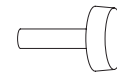
H8 1/4-20 x 15mm Screw x 4



H9 1/4-20 x 58mm Screw x 6



H10 1/4-20 x 87mm Screw x 2



H11 Bumper x 5

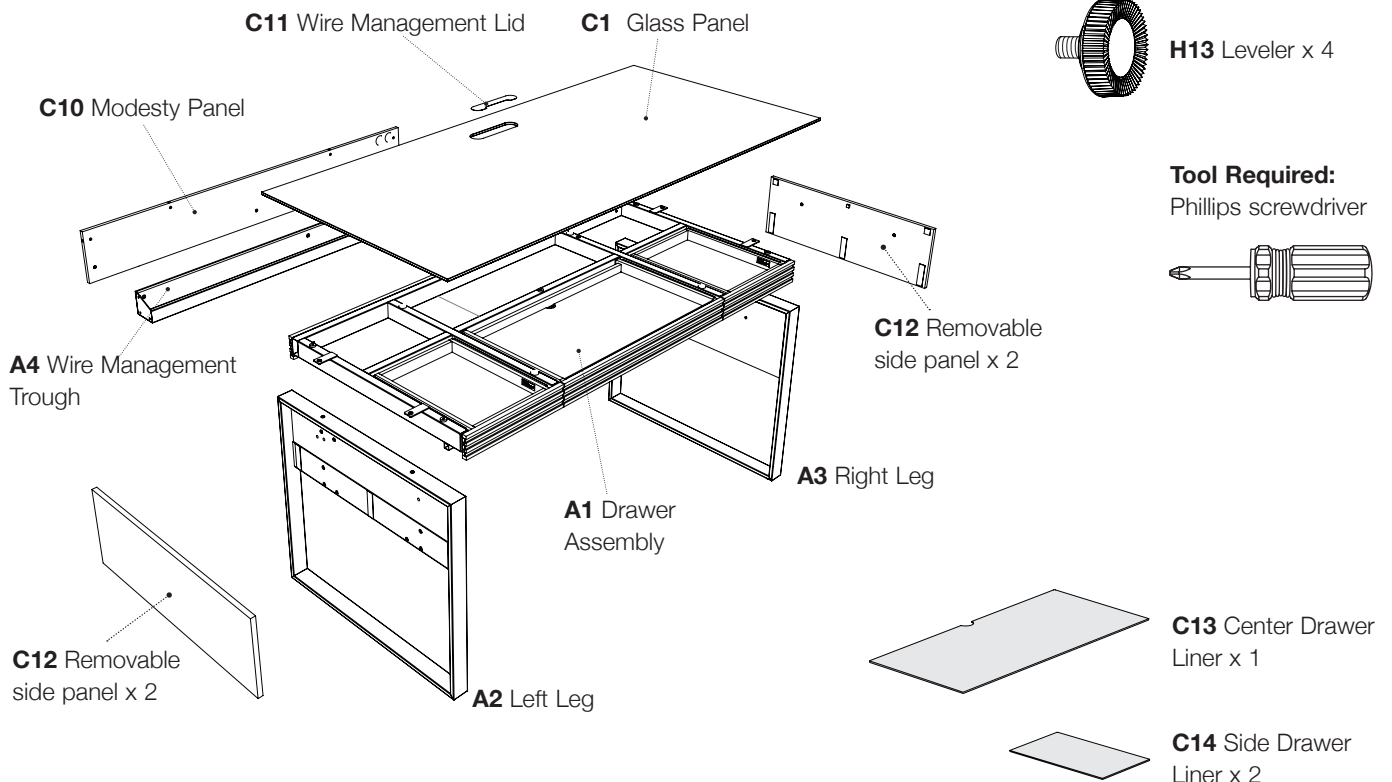
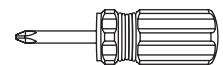


H12 10-32 x 37mm Screw x 4



H13 Leveler x 4

Tool Required:
Phillips screwdriver

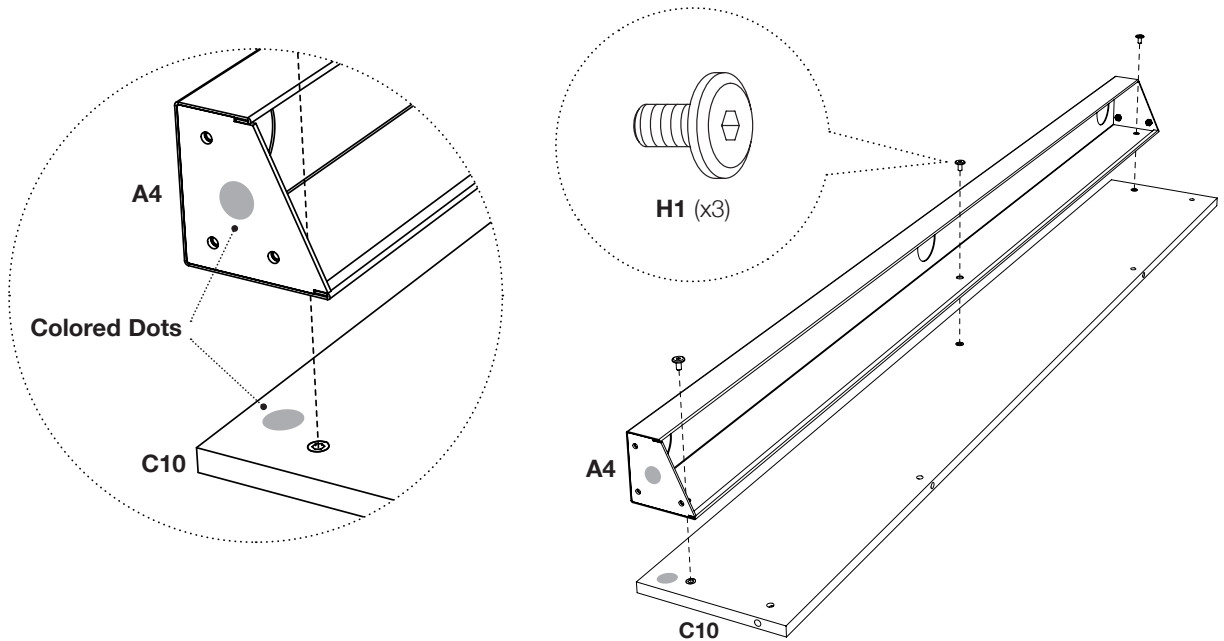


Designed by Matthew Weatherly.

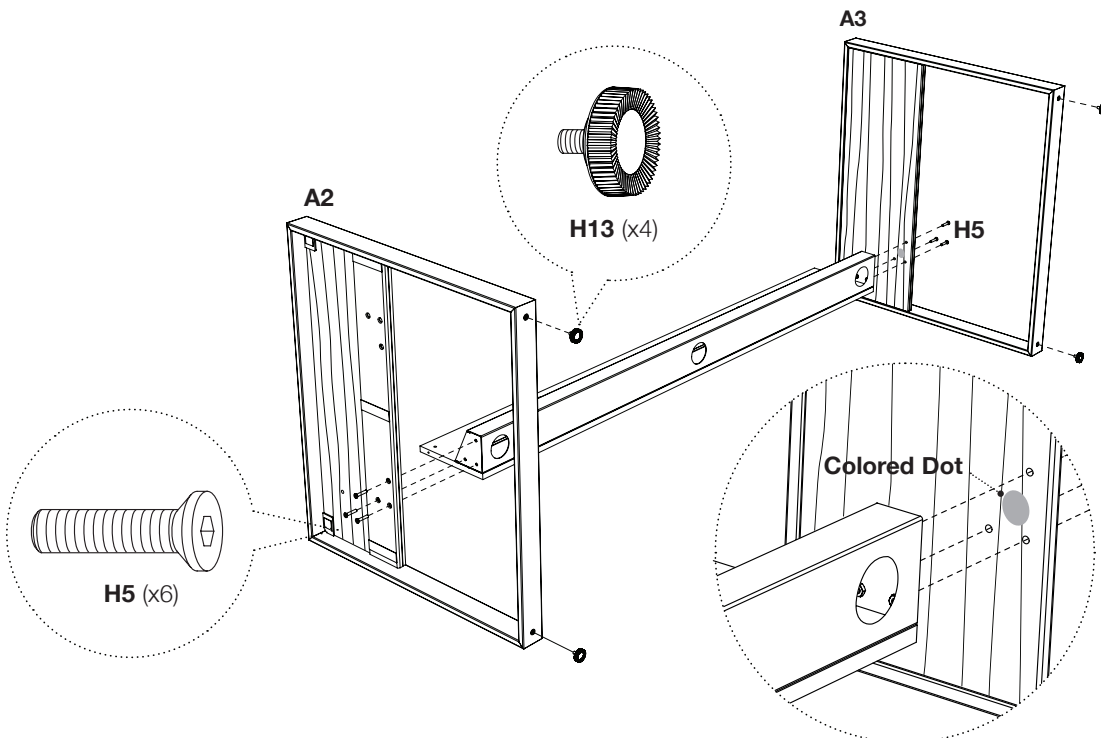
These distinctive product configurations are protected by US and international patents, trade dress, and/or copyright laws. Corridor & BDI are trademarks of Becker Designed, Inc. All rights reserved. ©2015, BDI
Made in China. 12.08.2015 V2

Step 2 - Install Base

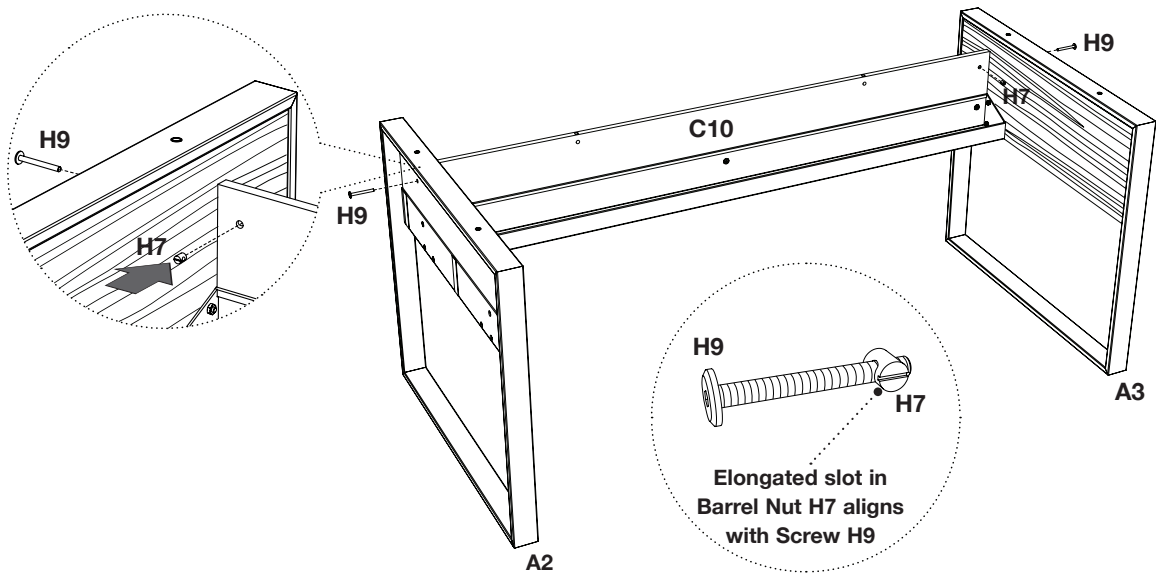
Aligning the **Colored Dots** on the same side, attach **Wire Management Trough A4** to **Modesty Panel C8** using **Screw H1** and **Hex Wrench**. **Keep screws loose until Step 7.**



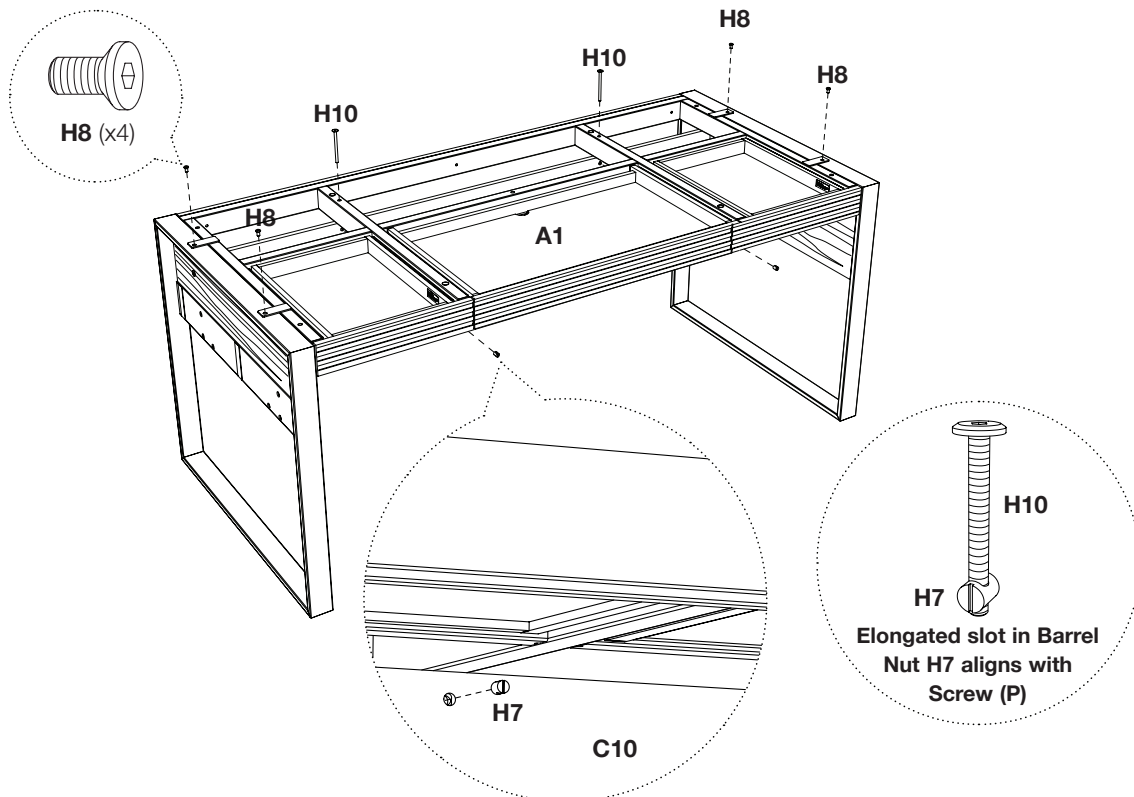
Step 3 - Match Colored Dot on Right Leg A3 with Colored Dot on Modesty Panel Assembly and attach using **Screws H5** and **Hex Wrench T1**. **Keep screws loose until Step 5.** Repeat to attach **Left Leg A2** to Modesty Panel Assembly. Install **Glides H13** to the bottom of **Legs A2 & A3**. With the help of another person, turn desk upright onto its base.



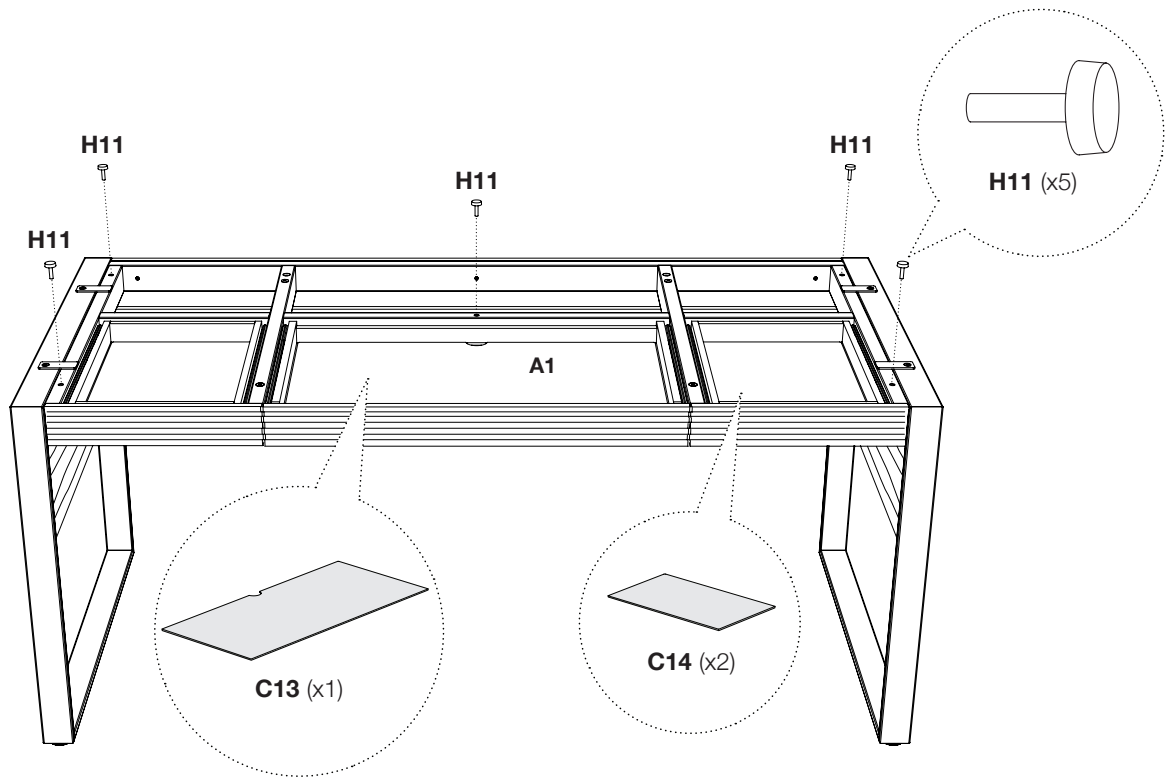
Step 4 - Insert **Barrel Nut H7** into holes of **Modesty Panel C10** with the elongated slot sitting horizontally, and secure with **Screw H9** through side of **Legs A2 & A3**. Keep screws loose until **Step 5**.



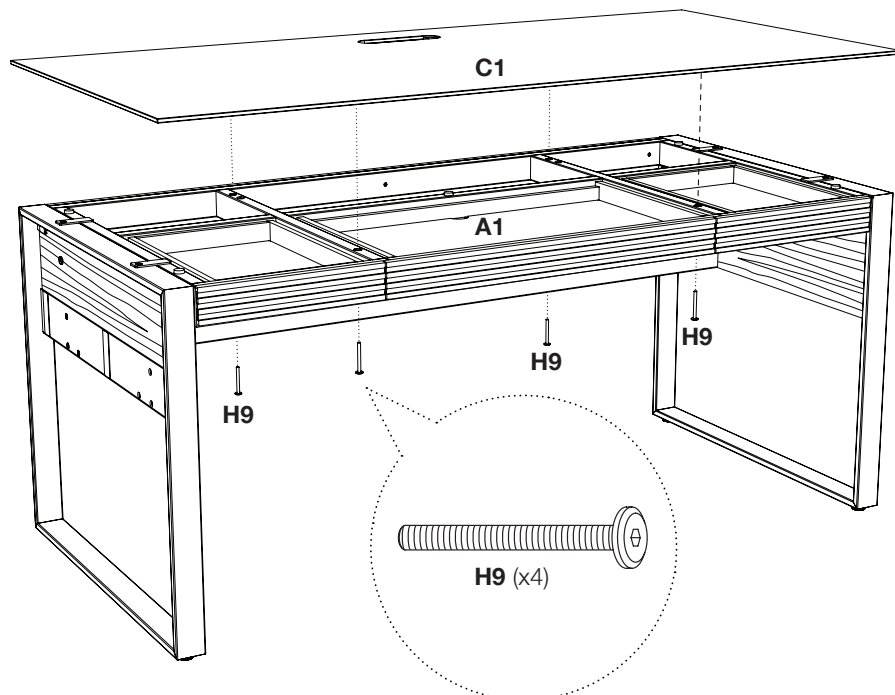
Step 5 - Secure **Drawer Assembly A1** to Leg Assembly using **Screw H8** and **Hex Wrench T1**. Insert **Barrel Nut H7** into holes of **Modesty Panel C10** with the elongated slot sitting vertically, and secure with **Screw H10** through top of **Drawer Assembly A1**. Fully tighten all **Screws** that have been installed in previous steps using **Hex Wrench**.



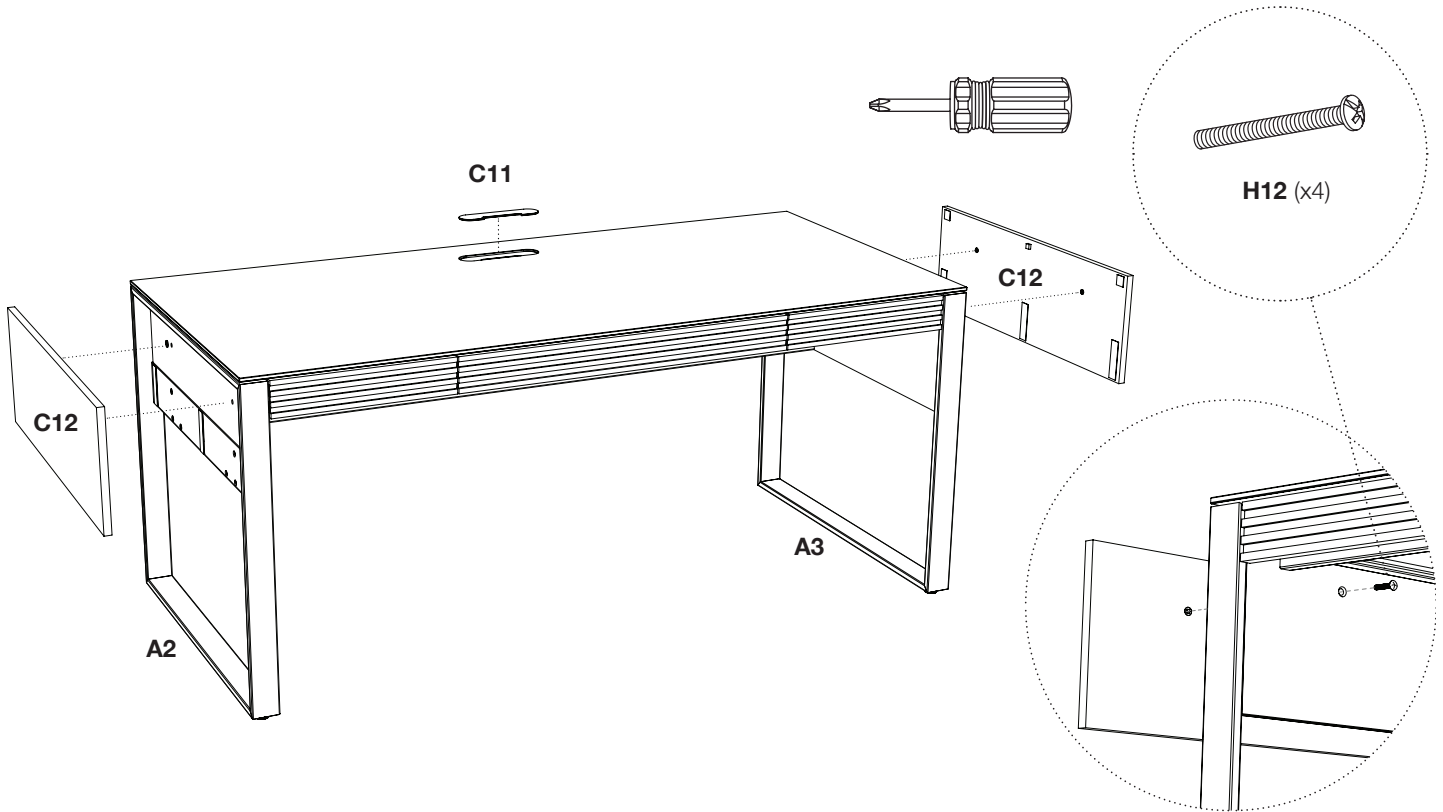
Step 6 - Insert **Bumpers H11** in the center hole and outer holes of **Drawer Assembly A1**. With the fabric side facing up, insert **Center Drawer Liner C13** into the center drawer and **Side Drawer Liners C14** into both side drawers.



Step 7 - With the help of another person gently lower **Glass Panel C1** onto **Drawer Assembly A1** and fasten into place using **Screw H9** and **Hex Wrench T1**. **DO NOT OVERTIGHTEN!**



Step 8 - Place **Wire Management Lid C11** into opening in **Glass Panel**. Attach **Removable Side Panels C12** to **Legs A2 & A3** using screws **H12** (and a Phillips screwdriver) ensuring the top edge of the **Side Panel C12** sits against the top inside edge of **Leg A2 & A3**.



Step 9 - Place AC power strip/surge protector (not included) into **Wire Management Trough A4**.

